

SimpoleLED

SimpoleLED-VOS-8150 Vossloh-Schwabe Modular Passive LED Cooler Φ 81mm

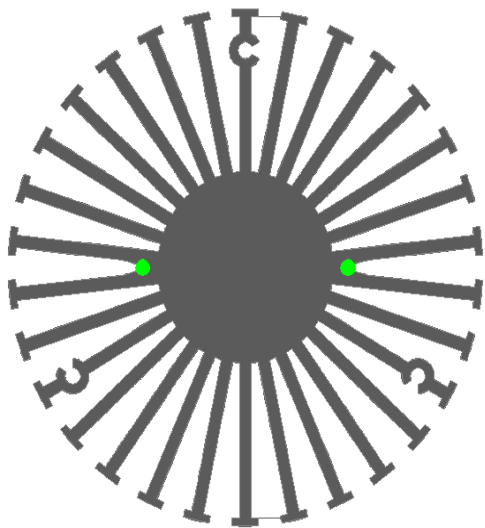
Features VS Benefits

- * The SimpoleLED-VOS-8150 Vossloh-Schwabe Modular Passive LED Coolers are specifically designed for luminaires using the Vossloh-Schwabe LED engines.
- * Mechanical compatibility with direct mounting of the LED engines to the LED cooler and thermal performance matching the lumen packages.
- * For spotlight and downlight designs from 900 to 3200 lumen.
- * Thermal resistance range Rth 1.9°C/W.
- * Modular design with mounting holes foreseen for direct mounting of Vossloh-Schwabe LUGA Shop LED engines.
- * Diameter 81mm - standard height 50mm Other heights on request.
- * Extruded from highly conductive aluminum.



Zhaga LED engine and radiator assembly is a unified future international standardization

- * Below you find an overview of Vossloh-Schwabe engines COB's and LED modules which standard fit on the SimpoleLED coolers.
- * In this way mechanical after work and related costs can be avoided, and lighting designers can standardize their designs on a limited number of LED coolers.



Vossloh-Schwabe LED engines Mounting Options

For the LUGA Shop 2014 Module.

| | | | |
|---------------|---------------|---------------|---------------|
| WU-M-484-827; | WU-M-484-840; | WU-M-485-835; | WU-M-486-830; |
| WU-M-484-830; | WU-M-485-827; | WU-M-485-840; | WU-M-486-835; |
| WU-M-484-835; | WU-M-485-830; | WU-M-486-827; | WU-M-486-840; |

For the LUGA Shop 2014 PW Module.

| | | |
|------------------|------------------|------------------|
| WU-M-484-831-PW; | WU-M-485-831-PW; | WU-M-486-831-PW; |
|------------------|------------------|------------------|

For the LUGA Shop 2014 HiCRI LED Module.

| | | | |
|---------------|---------------|---------------|---------------|
| WU-M-484-927; | WU-M-484-940; | WU-M-485-935; | WU-M-486-930; |
| WU-M-484-930; | WU-M-485-927; | WU-M-485-940; | WU-M-486-935; |
| WU-M-484-935; | WU-M-485-930; | WU-M-486-927; | WU-M-486-940; |

For the LUGA Shop 2014 PW Module.

| | | |
|------------------|------------------|------------------|
| WU-M-484-931-PW; | WU-M-485-931-PW; | WU-M-486-931-PW; |
|------------------|------------------|------------------|

For the LUGA Shop 2014 FOOD LED engines and the holder.

| | | | |
|----------------|----------------|----------------|-----------------|
| WU-M-486-Ga30; | WU-M-486-Ga40; | WU-M-486-Meat; | WU-M-486-SMeat; |
|----------------|----------------|----------------|-----------------|

For the LUGA Shop 2014 PCB LED engines and the holder.

| | | | |
|--------------|--------------|--------------|--------------|
| DMS088C27E1; | DMS088C40E1; | DMS158C35E1; | DMS128C30E1; |
| DMS088C30E1; | DMS158C27E1; | DMS158C40E1; | DMS128C35E1; |
| DMS088C35E1; | DMS158C30E1; | DMS128C27E1; | DMS128C40E1; |

For the LUGA Shop 2014 PCB PW LED engines and the holder.

| | | |
|---------------|---------------|---------------|
| DMS088C31EP1; | DMS128C31EP1; | DMS158C31EP1; |
|---------------|---------------|---------------|

For the LUGA Shop 2014 PCB HiCRI LED engines and the holder.

| | | | |
|--------------|--------------|--------------|--------------|
| DMS088D27E1; | DMS088D40E1; | DMS158D35E1; | DMS128D30E1; |
| DMS088D30E1; | DMS158D27E1; | DMS158D40E1; | DMS128D35E1; |
| DMS088D35E1; | DMS158D30E1; | DMS128D27E1; | DMS128D40E1; |

For the LUGA Shop 2014 PCB PW LED engines and the holder.

| | | |
|---------------|---------------|---------------|
| DMS088D31EP1; | DMS128D31EP1; | DMS158D31EP1; |
|---------------|---------------|---------------|

For the LUGA Shop 2014 PCB FOOD LED engines and the holder.

| | | | |
|--------------|--------------|--------------|-------------|
| DMS158G30E1; | DMS158G40E1; | DMS158P40E1; | DMS158P19E1 |
|--------------|--------------|--------------|-------------|

For the LUGA C 2015 LED engines.

(AAG.STUCCHI holder:8101-G2); (BJB holder:47.319.2021.50);

| | | |
|-------------|-------------|-------------|
| DMC104Cxxx; | DMC115Cxxx; | DMC118Cxxx; |
|-------------|-------------|-------------|

Zhaga Book3 Green indicator marks:
Mounting with machine screws M3x6mm;
Please refer to the "www.vossloh-schwabe.com" data provided on the manual.

SimpoleD

SimpoleD-VOS-8150 Vossloh-Schwabe Modular Passive LED Cooler Φ 81mm

Mounting Options and Drawings & Dimensions

Example: SimpoleD-VOS-8150-B-3

Example: SimpoleD-VOS-81 **1** - **2** - **3**

- 1** Height (mm)
- 2** Anodising Color
B-Black
C-Clear
Z-Custom
- 3** Mounting Options - see graphics for details Combinations available
Ex.order code - 12
means option 1 and 2 combined

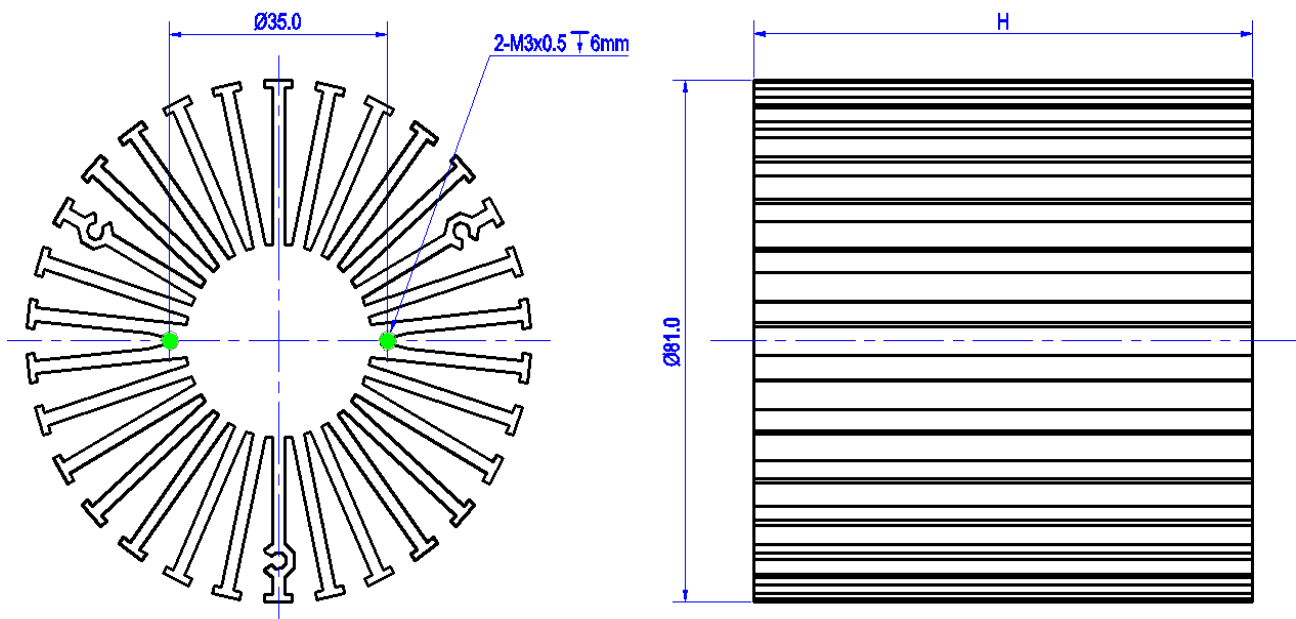
Notes:

- Mentioned models are an extraction of full product range.
- For specific mechanical adaptations please contact MingfaTech.
- MingfaTech reserves the right to change products or specifications without prior notice.



A . A . G .
STUCCHI
ideas are made of light

| MOUNTING OPTION | Module type | Holder NO. | THREAD | THREAD DEPTH | THREAD HOLE DISTANCE |
|-----------------|-----------------------|--------------------------|--------|--------------|----------------------|
| 1 | LUGA C | BJB (47.319.2021.50) | M3 | 6mm | 35.0mm/ 2-@180° |
| | | AAG.STUCCHI (8101-G2) | | | |
| | LUGA Shop 2014 PCB | Vossloh-Schwabe | | | |
| | LUGA Shop 2014 | / | | | |



SimpoleD

SimpoleD-VOS-8150 Vossloh-Schwabe Modular Passive LED Cooler Φ 81mm

The thermal data table

| | |
|---|--|
| |  <i>SimpoleD-8150</i> |
| Model No. | SimpoleD-VOS-8150 |
| Size | Φ81xH50mm |
| Material | AL6063-T5 |
| Finish | Black Anodized |
| Weight(gr) | 318.0 |
| Thermal Wattage | 26.5W |
| HeatsinkOs-a² | 94517 |
| Heat Sink T_{Rise Above Ambient} | 1.9 |

| | Pd = Pe x (1-ηL) | Heat sink to ambient thermal resistance Rhs-amb (°C/W) | Heat sink to ambient temperature rise Ths-amb (°C) |
|------------------------|---------------------|---|---|
| | | SimpoleD-VOS-8150 | SimpoleD-VOS-8150 |
| Dissipated Power Pd(W) | 6.0 | 2.60 | 15.6 |
| | 12.0 | 2.18 | 26.2 |
| | 18.0 | 1.97 | 35.6 |
| | 24.0 | 1.83 | 44.0 |
| | 30.0 | 1.72 | 51.8 |

