



for

LED



HibayLED

HibayLED-230195

Modular vacuum phase-transition LED Heat Sink (Passive) Φ 230mm

Features VS Benefits

- * Mechanical compatibility with direct mounting of the LED modules to the Modular vacuum phase-transition LED Heat Sinks (Passive) thermal performance matching the lumen packages.
- * Modular design with mounting holes foreseen for direct mounting of a wide range of LED modules and COB's.
- * For Highbay designs from 12000 to 25000 lumen.
- * Thermal resistance range Rth 0.25°C/W.
- * Diameter 230mm - standard height 195mm Other heights on request.
- * 2 standard colors - clear anodized - black anodized.
- * Design for Bridgelux , Citizen , Cree, Seoul, LG Innotek, Tridonic, Lumileds, Lustrous.....



Unique Advantages

- * Integration of heat super conduction and heat dissipation. Reduce heat conduct resistance of heatsink to ZERO;
- * Low heat conduct temperature difference, equivalent heatconductive ability 20 times better than copper;
- * More than 30% reduce of volume and weight than normal heatsinks;
- * Compared to normal extrusion heatsinks, Mingfa Tech's our vacuum phase-transition heatsinks can adapt higher power for the same size;
- * Compared to normal extrusion heatsinks, Mingfa Tech's vacuum phase-transition LED heatsinks are much smaller volume and lighter weight for the same power;
- * All aluminium, cost effective;

Mounting Options and Drawings & Dimensions

Example: HibayLED-230195-B-2

Example: HibayLED-230195



1 Anodising Color

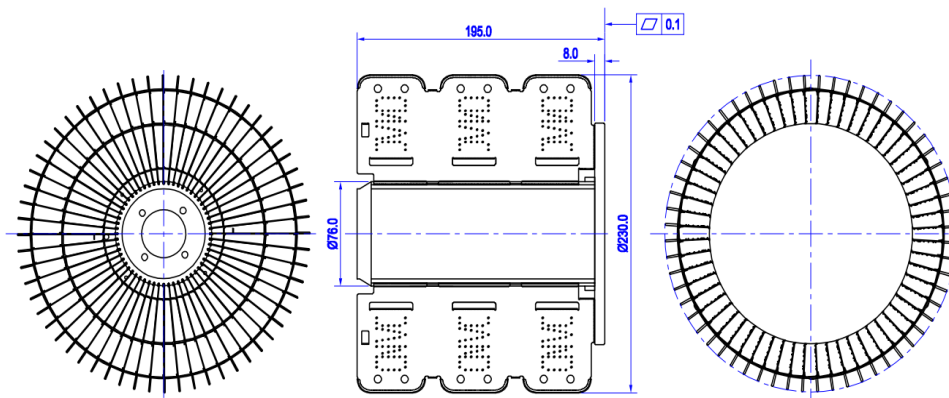
- B-Black
- C-Clear
- Z-Custom

2 Mounting Options - see graphics

- details Combinations available
- Ex.order code - 12
- means option 1 and 2 combined

Notes:

- Mentioned models are an extraction of full product range.
- For specific mechanical adaptations please contact MingfaTech.
- MingfaTech reserves the right to change products or specifications without prior notice.



The thermal data table

	 <p>HibayLED</p>
Model No.	HibayLED-230195
Size	Φ 230xH195mm
Material	AL1070
Finish	Clear Anodized
Weight(gr)	2290
Thermal Wattage	200
HeatsinkOs-a ²	2053780
Heat Sink T _{Rise Above Ambient}	0.25

