



for

LED



HibayLED

HibayLED-SHA-230126

Sharp Modular vacuum phase-transition LED Heat Sink (Passive) Φ230mm

Features VS Benefits

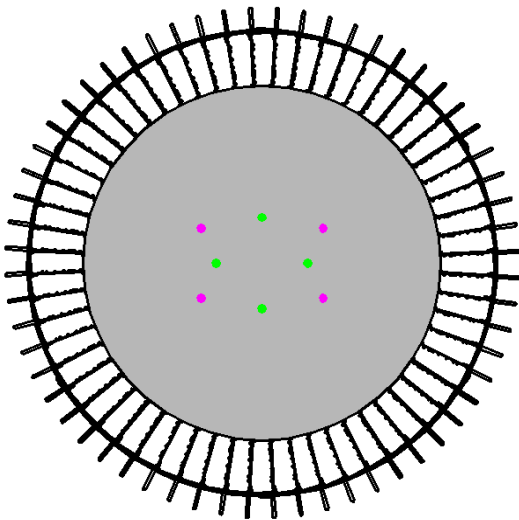
- * The HibayLED-SHA-230126 Sharp Modular vacuum phase-transition LED Heat Sinks (Passive) are specifically designed for luminaires using the Sharp LED engines.
- * Mechanical compatibility with direct mounting of the LED engines to the LED cooler and thermal performance matching the lumen packages.
- * For Highbay designs from 10000 to 18000 lumen.
- * Thermal resistance range Rth 0.34°C/W.
- * Modular design with mounting holes foreseen for direct mounting of Sharp Kaku Zenigata series and Giga Zenigata series LED engines.
- * Diameter 230mm - standard height 126mm Other heights on request.



Unique Advantages

- * Integration of heat super conduction and heat dissipation.Reduce heat conduct resistance of heatsink to ZERO;
- * Low heat conduct tempereure difference, equivalent heatconductive ability 20 times better than copper;
- * More than 30% reduce of volume and weight than normal heatsinks;
- * Compared to normal extrusion heatsinks,Mingfa Tech's our vacuum phase-transition heatsinks can adapt higher power for the same size;
- * Compared to normal extrusion heatsinks,Mingfa Tech's vacuum phase-transition LED heatsinks are much smaller volume and lighter weight for the same power;
- * All aluminium,cost effective;

SHARP



Sharp LED engines Mounting Options

Kaku Zenigata Series Modules names:

- GW7PMS30RFC;
- GW7PMS42RFC;

Direct Mounting with 2 screws M3 x 8mm;
Gree indicator marks.

Giga Zenigata series series Modules Name :

- GW7GMP30FGC;
- GW7GMP40FGC;
- GW7GMP50FGC;

Direct Mounting with 2 screws M3 x 8mm;
Pink indicator marks.

HibayLED

HibayLED-SHA-230126

Sharp Modular vacuum phase-transition LED Heat Sink (Passive) $\Phi 230\text{mm}$

Mounting Options and Drawings & Dimensions

Example:HibayLED-SHA-230126-B-1,2

Example:HibayLED-SHA-230126 **1** - **2**

1 Anodising Color

B-Black

C-Clear

Z-Custom

2 Mounting Options - see graphics for details Combinations available

Ex.order code - 12

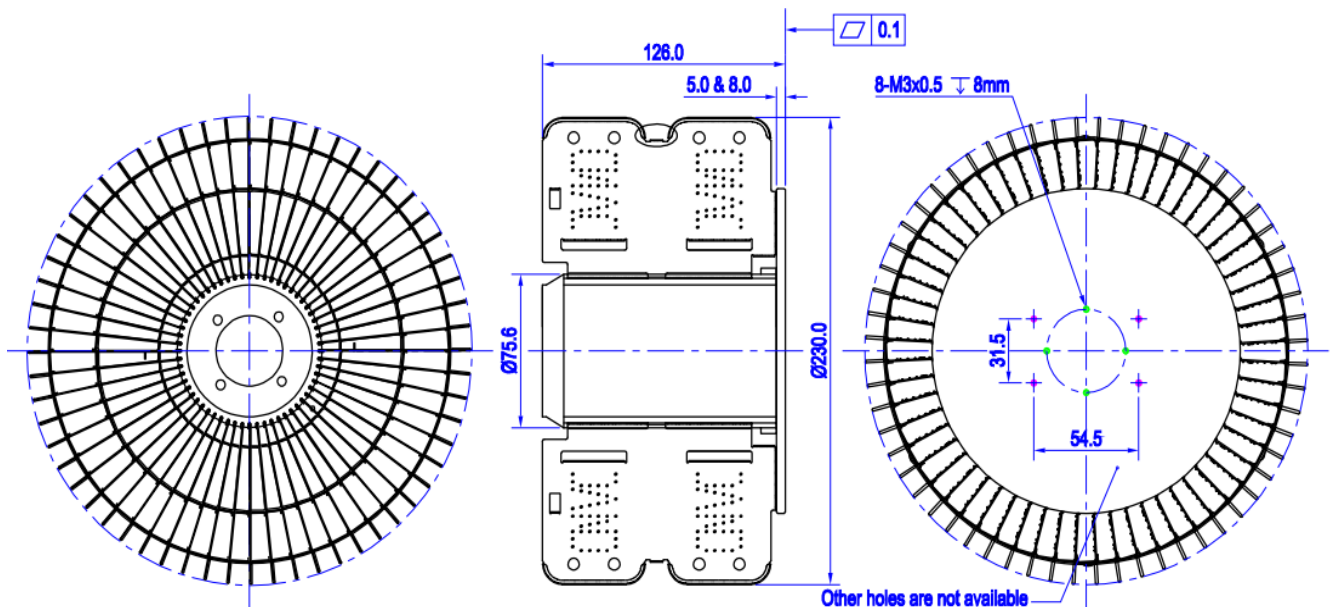
means option 1 and 2 combined

Notes:

- Mentioned models are an extraction of full product range.
- For specific mechanical adaptations please contact MingfaTech.
- MingfaTech reserves the right to change products or specifications without prior notice.

SHARP

MOUNTING OPTION	Module type	Holder NO.	THREAD	THREAD DEPTH	THREAD HOLE DISTANCE
1	Kaku Zenigata	/	M3	8mm	(41.0mmx41.0mm)x2
2	Giga Zenigata	/	M3	8mm	(54.5.0mmx31.5mm)x2



HibayLED

HibayLED-SHA-230126

Sharp Modular vacuum phase-transition LED Heat Sink (Passive) Φ 230mm

The thermal data table

	<p><i>HibayLED</i></p>
Model No.	HibayLED-SHA-230126
Size	Φ 230xH126mm
Material	AL1070
Finish	Clear Anodized
Weight(gr)	1590.0
Thermal Wattage	150.0W
Heatsink Θ s-a ²	1361840
Heat Sink T _{Rise Above Ambient}	0.34

