



for

LED

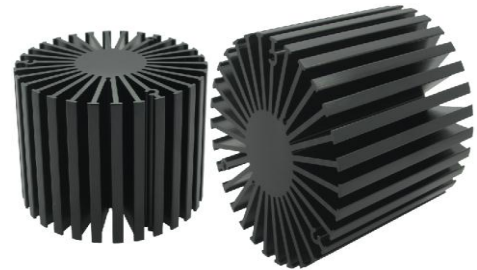


SimpoleLED

SimpoleLED-CIT-8180 for Citizen Modular Passive LED Cooler Φ 81mm

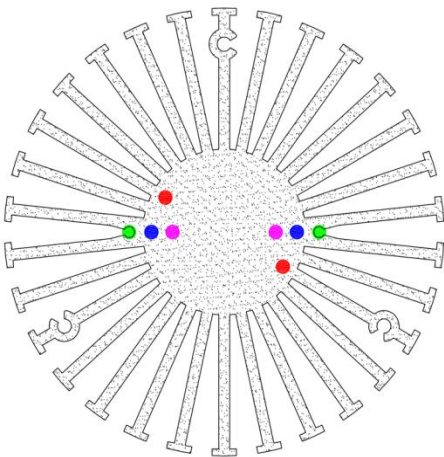
Features VS Benefits

- * The SimpoleLED-8180 Citizen Modular Passive LED Coolers are specifically designed for luminaires using the Citizen LED engines.
- * Mechanical compatibility with direct mounting of the LED engines to the LED cooler and thermal performance matching the lumen packages.
- * For spotlight and downlight designs from 1000 to 3800 lumen.
- * Thermal resistance range Rth 1.6°C/W.
- * Modular design with mounting holes foreseen for direct mounting of Citizen CLL012/CLL020/022/CU024 /CLL030/032 and CUL034 COB engines.
- * Diameter 81mm - standard height 80mm Other heights on request.
- * Extruded from highly conductive aluminum.



Citizen LED engine and radiator assembly directly Mounting Options

- * Below you find an overview of Citizen COB's and LED modules which standard fit on the SimpoleLED coolers.
- * In this way mechanical after work and related costs can be avoided, and lighting designers can standardize their designs on a limited number of LED coolers.



Citizen CLL020-022 and CLU 024 LED COB's for which Zhaga LED Modules holders are available Mounting Options

Citizen CLL020-022 LED Modules:

- | | |
|-----------------------|-----------------------|
| CLL020-1202A5-50xxxx; | CLL022-1202A5-50xxxx; |
| CLL020-1202A5-40xxxx; | CLL022-1202A5-40xxxx; |
| CLL020-1202A5-35xxxx; | CLL022-1202A5-35xxxx; |
| CLL020-1202A5-30xxxx; | CLL022-1202A5-30xxxx; |
| CLL020-1202A5-27xxxx; | CLL022-1202A5-27xxxx; |
| CLL020-1203A5-50xxxx; | CLL022-1203A5-50xxxx; |
| CLL020-1203A5-40xxxx; | CLL022-1203A5-40xxxx; |
| CLL020-1203A5-35xxxx; | CLL022-1203A5-35xxxx; |
| CLL020-1203A5-30xxxx; | CLL022-1203A5-30xxxx; |
| CLL020-1203A5-27xxxx; | CLL022-1203A5-27xxxx; |

Citizen CLU024 LED Modules:

- | | |
|-------------------------|-------------------------|
| CLU024-1201B8-50XXXXXX; | CLU024-1203B8-50XXXXXX; |
| CLU024-1201B8-40XXXXXX; | CLU024-1203B8-40XXXXXX; |
| CLU024-1201B8-35XXXXXX; | CLU024-1203B8-35XXXXXX; |
| CLU024-1201B8-30XXXXXX; | CLU024-1203B8-30XXXXXX; |
| CLU024-1201B8-27XXXXXX; | CLU024-1203B8-27XXXXXX; |
| CLU024-1202B8-50XXXXXX; | CLU024-1204B8-50XXXXXX; |
| CLU024-1202B8-40XXXXXX; | CLU024-1204B8-40XXXXXX; |
| CLU024-1202B8-35XXXXXX; | CLU024-1204B8-35XXXXXX; |
| CLU024-1202B8-30XXXXXX; | CLU024-1204B8-30XXXXXX; |
| CLU024-1202B8-27XXXXXX; | CLU024-1204B8-27XXXXXX; |

Direct mounting with machine screws M3x6mm;
Red indicator marks.
With Zhaga Book11 holders

Zhaga Book 11 LED holder
BJB Spotlight connector 47.319.6060.50
TE Connectivity 1pc LED holder 6-2154874-1
TE Connectivity Scalable 2pc LED holder 2-2154857-1
Mounting with 2 screws M3 x 8mm
Pink indicator marks





for

LED

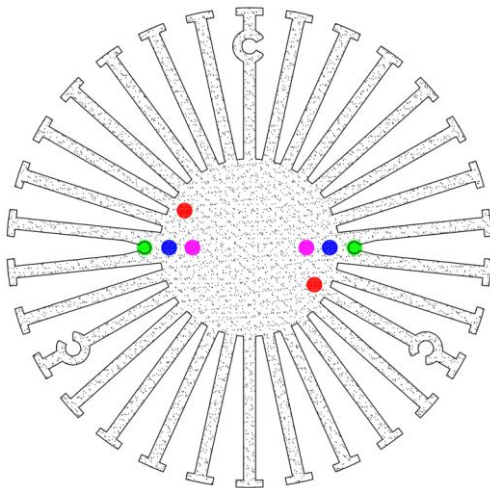


SimpoleD

SimpoleD-CIT-8180 for Citizen Modular Passive LED Cooler Φ 81mm

CITIZEN

Micro HumanTech



Citizen CLL030-032 and CLU034 LED COB's for which Zhaga LED Modules holders are available Mounting Options

Citizen CLL030-CLL032 LED Modules:

- CLL030-1205A5-50XXXX;
- CLL030-1205A5-40XXXX;
- CLL030-1205A5-35XXXX;
- CLL030-1205A5-30XXXX;
- CLL030-1205A5-27XXXX;
- CLL030-1206A5-50XXXX;
- CLL030-1206A5-40XXXX;
- CLL030-1206A5-35XXXX;
- CLL030-1206A5-30XXXX;
- CLL030-1206A5-27XXXX;

- CLL032-1205A5-50XXXX;
- CLL032-1205A5-40XXXX;
- CLL032-1205A5-35XXXX;
- CLL032-1205A5-30XXXX;
- CLL032-1205A5-27XXXX;
- CLL032-1206A5-50XXXX;
- CLL032-1206A5-40XXXX;
- CLL032-1206A5-35XXXX;
- CLL032-1206A5-30XXXX;
- CLL032-1206A5-27XXXX;

Citizen CLU034 LED Modules:

CLU034-xxxx

- Zhaga Book 3 LED holder
- BJB Spotlight connector 47.319.2020.50
- TE Connectivity Lumawise type Z50 2213254-1
- TE Connectivity Lumawise type Z50 2213254-2
- Mounting with 2 screws M3 x 8mm
- Green indicator marks
- Direct mounting with machine screws M3x6mm;
- Blue indicator marks.



for

LED



SimploLED

SimploLED-CIT-8180 for Citizen Modular Passive LED Cooler Φ 81mm

Mounting Options and Drawings & Dimensions

Example: SimploLED-CIT-8180-B-3

Example: SimploLED-CIT-81 **1** - **2** - **3**

1 Height (mm)

2 Anodising Color

B-Black

C-Clear

Z-Custom

3 Mounting Options - see graphics for details Combinations available

Ex.order code - 12

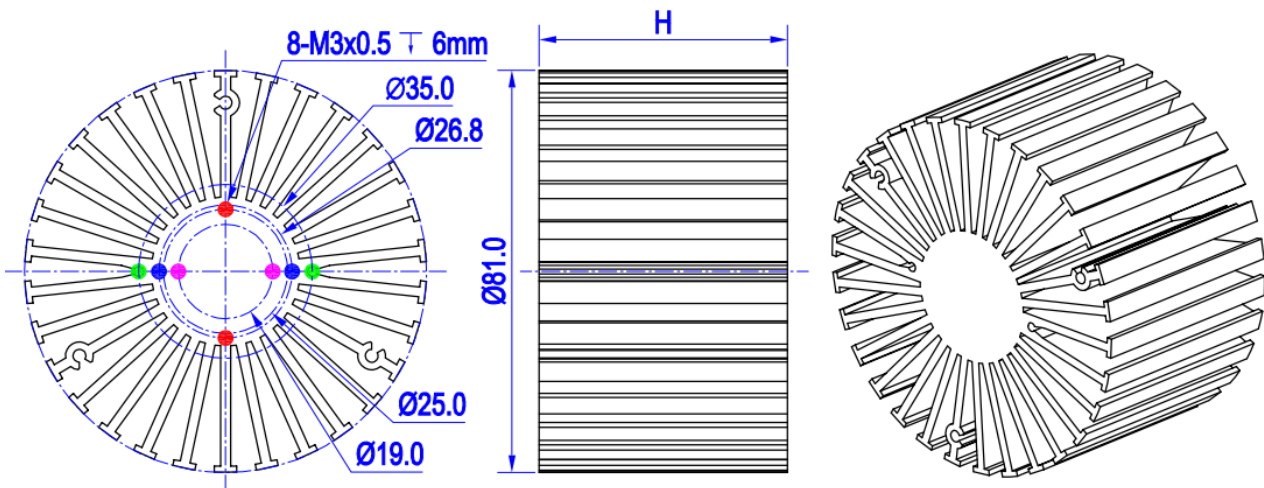
means option 1 and 2 combined

Notes:

- Mentioned models are an extraction of full product range.
- For specific mechanical adaptations please contact MingfaTech.
- MingfaTech reserves the right to change products or specifications without prior notice.



MOUNTING OPTION	Module type	Holder NO.	THREAD	THREAD DEPTH	THREAD HOLE DISTANCE
1	CLL020-022 CLU024	/	M3	6mm	19mm/ 2-@180°
2	CLL020-022 CLU024	BJB:47.319.6060.50 Zhaga Book11	M3	5mm	25mm/ 2-@180°
3	CLL030-032 CLU034	/	M3	6mm	26.8mm/ 2-@180°
4	CLL030-032 CLU034	BJB:47.319.2020.50 Zhaga Book3	M3	6mm	35mm/ 2-@180°



Tel: +86-769-39023131
 E-fax: +86-(020)28819702 ext:22122
 Email:sales@mingfatech.com
 Http://www.heatsinkled.com
 Http://www.mingfatech.com





for

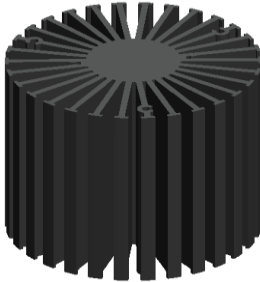
LED



SimpoleD

SimpoleD-CIT-8180 for Citizen Modular Passive LED Cooler Φ 81mm

The thermal data table

	 <i>SimpoleD-8180</i>
Model No.	SimpoleD-CIT-8180
Size	Φ81xH80mm
Material	6063-T5
Finish	Black Anodized
Weight(g)	508.0
Thermal Wattage	31.2W
HeatsinkOs-a²	148406
Heat Sink T Rise Above Ambient	1.6

	Pd = Pe x (1- η L)	Heat sink to ambient thermal resistance Rhs-amb (°C/W)	Heat sink to ambient temperature rise Ths-amb (°C)
		SimpoleD-CIT-8180	SimpoleD-CIT-8180
Dissipated Power Pd(W)	7	2.20	15.4
	14	1.90	26.6
	21	1.80	37.8
	28	1.70	47.6
	35	1.55	54.3

