



for

LED



*SimpoleD*

**SimpoleD-LG-11750 for LG Innotek Modular Passive LED Cooler  $\Phi$ 117mm**

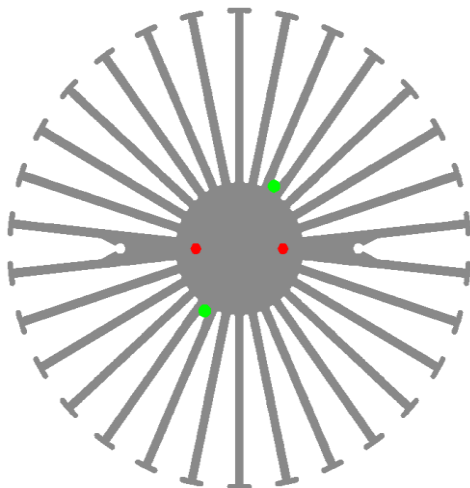
**Features VS Benefits**

- \* The SimpoleD-LG-11750 LG Innotek Modular Passive LED Coolers are specifically designed for luminaires using the LG Innotek LED engines.
- \* Mechanical compatibility with direct mounting of the LED engines to the LED cooler and thermal performance matching the lumen packages.
- \* For spotlight and downlight designs from 2000 to 6200 lumen.
- \* Thermal resistance range Rth 1.0°C/W.
- \* Modular design with mounting holes foreseen for direct mounting of LG Innotek COB 17W/ 24W/40W/60W LED engines.
- \* Diameter 117mm - standard height 50mm Other heights on request.
- \* Extruded from highly conductive aluminum.



**Zhaga LED engine and radiator assembly is a unified future international standardization**

- \* Below you find an overview of LG Innotek engines COB's and LED modules which standard fit on the SimpoleD coolers.
- \* In this way mechanical after work and related costs can be avoided, and lighting designers can standardize their designs on a limited number of LED coolers.



**LG Innotek LED Spotlight engines directly Mounting Options**

**LEMWM 17W COB Modules:**

- LEMWM18780GGxxxx;
- LEMWM18780HGxxxx;
- LEMWM18780JGxxxx;
- LEMWM18780LGxxxx;
- LEMWM18780MGxxxx;

**LEMWM 24W COB Modules:**

- LEMWM18880GGxxxx;
- LEMWM18880HGxxxx;
- LEMWM18880JGxxxx;
- LEMWM18880LGxxxx;
- LEMWM18880MGxxxx;

**Zhaga Book3 Green indicator marks:**

- AAG.STUCCHI holder:8600 ;
- BJB holder:47.319.2080.50 ;
- IDEAL holder:50-2100LG ;
- Direct mounting with machine screws M3x6mm;
- Directly Mounting with machine screws M2.5x8mm;
- Red indicator marks.

**LEMWM 40W COB Modules :**

- LEMWM28C80HZxxxx;
- LEMWM28C80LZxxxx;

**LEMWM 60W COB Modules :**

- LEMWM28E80HZxxxx;
- LEMWM28E80LZxxxx;

**Zhaga Book3 Green indicator marks:**

- AAG.STUCCHI holder:8102 ;
- BJB holder:47.319.2021.50 ;
- IDEAL holder:50-2204CT ;
- Direct mounting with machine screws M3x6mm;

Tel:+86-769-39023131  
 E-fax:+86-(020)28819702 ext:22122  
 Email:sales@mingfatech.com  
 Http://www.heatsinkled.com  
 Http://www.mingfatech.com





*SimpoleD*

SimpoleD-LG-11750 for LG Innotek Modular Passive LED Cooler  $\Phi$ 117mm

**Mounting Options and Drawings & Dimensions**

Example: SimpoleD-LG-11750-B-3

Example: SimpoleD-LG-117 **1** - **2** - **3**

**1** Height (mm)

**2** Anodising Color

B-Black

C-Clear

Z-Custom

**3** Mounting Options - see graphics for details Combinations available

Ex.order code - 12

means option 1 and 2 combined

Notes:

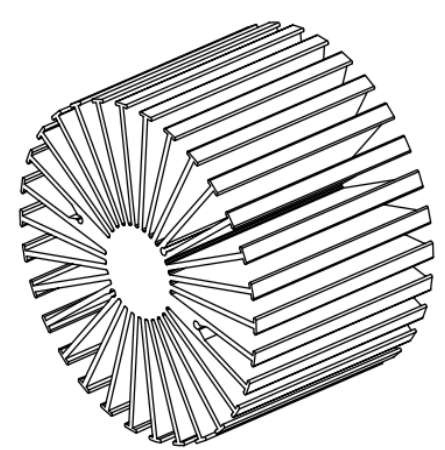
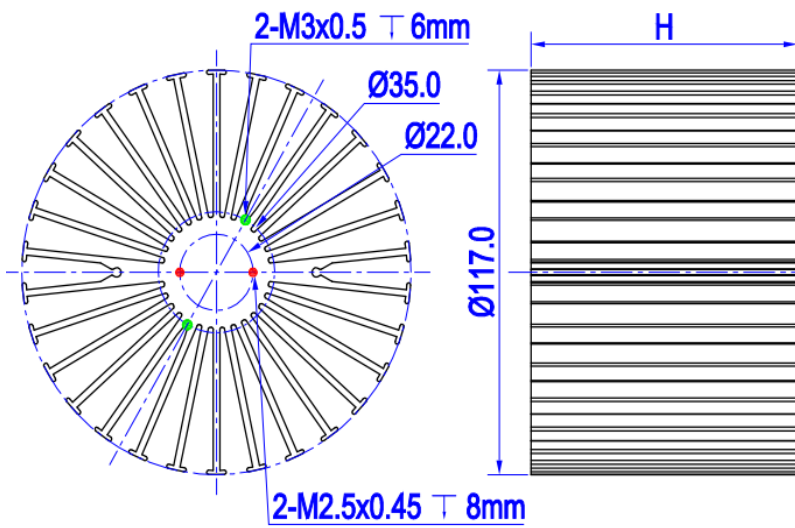
- Mentioned models are an extraction of full product range.

- For specific mechanical adaptations please contact MingfaTech.

- MingfaTech reserves the right to change products or specifications without prior notice.



| MOUNTING OPTION | Module type          | Holder NO.          | THREAD | THREAD DEPTH | THREAD HOLE DISTANCE |
|-----------------|----------------------|---------------------|--------|--------------|----------------------|
| 1               | LEMWM COB<br>17W/24W | /                   | M2.5   | 8mm          | 22.0mm/ @2-180°      |
| 2               | LEMWM COB<br>17W/24W | BJB: 47.319.2028.50 | M3     | 6mm          | 35.0mm/ 2-@180°      |
|                 |                      | AAG.STUCCHI: 8600   |        |              |                      |
|                 |                      | IDEAL: 50-2100LG    |        |              |                      |
|                 | LEMWM COB<br>40W/60W | BJB: 47.319.2021.50 |        |              |                      |
|                 |                      | AAG.STUCCHI: 8120   |        |              |                      |
|                 |                      | IDEAL: 50-2204CT    |        |              |                      |



Tel:+86-769-39023131  
 E-fax:+86-(020)28819702 ext:22122  
 Email:sales@mingfatech.com  
 Http://www.heatsinkled.com  
 Http://www.mingfatech.com





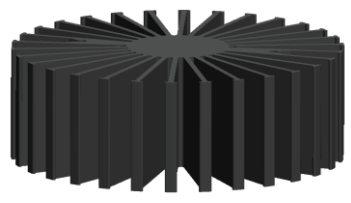
for

LED



*SimpoleD* **SimpoleD-LG-11750 for LG Innotek Modular Passive LED Cooler Φ117mm**

The thermal data table

|   |   |
|---|---|
|   | <br><i>SimpoleD-11750</i> |
| <b>Model No.</b>                                | <b>SimpoleD-LG-11750</b>  |
| <b>Size</b>                                     | <b>Φ117xH50mm</b>   |
| <b>Material</b>                                 | <b>AL6063-T5</b>  |
| <b>Finish</b>                                   | <b>Black Anodized</b>   |
| <b>Weight(g)</b>                                | <b>484.0</b>  |
| <b>Thermal Wattage</b>                          | <b>49.2W</b>  |
| <b>HeatsinkOs-a<sup>2</sup></b>                 | <b>147370</b>   |
| <b>Heat Sink T<sub>Rise Above Ambient</sub></b> | <b>1.0</b>  |

| Dissipated Power Pd(W) | Pd =<br>Pe x (1-ηL) | Heat sink to ambient thermal resistance Rhs-amb (°C/W) | Heat sink to ambient temperature rise Ths-amb (°C) |
|------------------------|---------------------|--|--|
|                        |                     | SimpoleD-LG-11750                                      | SimpoleD-LG-11750                                  |
| 8.0                    |                     | 1.35   | 10.8   |
| 16.0                   |                     | 1.30   | 20.8   |
| 24.0                   |                     | 1.25   | 30.0   |
| 32.0                   |                     | 1.15   | 36.8   |
| 40.0                   |                     | 1.10   | 44.0   |
| 48.0                   |                     | 0.97   | 46.6   |
| 56.0                   |                     | 0.88   | 49.3   |

