



for

LED

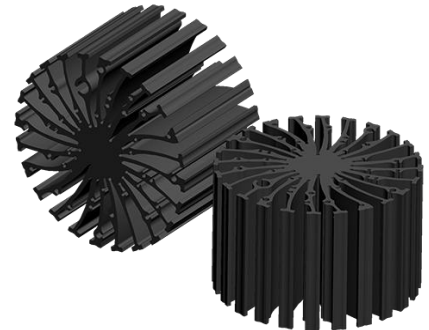


EtraLED

EtraLED-PRO-130100 Prolight Modular Passive Star LED Heat Sink Φ 130mm

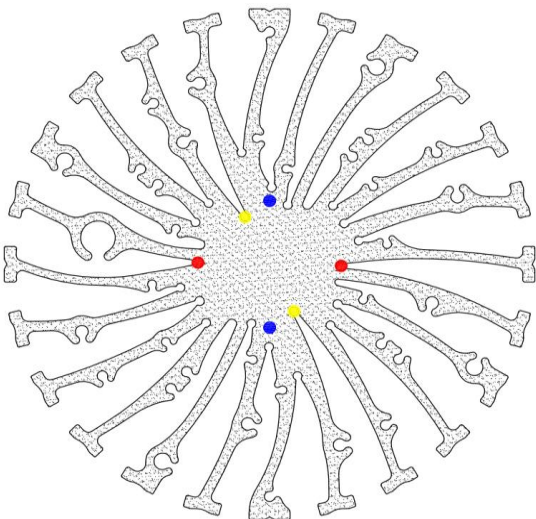
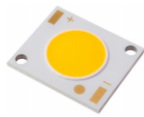
Features VS Benefits

- * The EtraLED-PRO-130100 Prolight Modular Passive Star LED Heat Sinks are specifically designed for luminaires using the Prolight LED engines.
- * Mechanical compatibility with direct mounting of the LED engines to the LED cooler and thermal performance matching the lumen packages.
- * For spotlight and downlight designs from 3400 to 9000 lumen.
- * Thermal resistance range Rth 0.65°C/W.
- * Modular design with mounting holes foreseen for direct mounting of Prolight COB series LED engines.
- * Diameter 130mm - standard height 100mm Other heights on request.
- * Extruded from highly conductive aluminum.



Zhaga LED engine and radiator assembly is a unified future international standardization

- * Below you find an overview of Prolight COB's and LED modules which standard fit on the EtraLED Star LED Heat Sinks.
- * In this way mechanical after work and related costs can be avoided, and lighting designers can standardize their designs on a limited number of Star LED Heat Sinks.



Prolight LED engines Mounting Options

COB BI Series Modules names:

- PABA-26xxx-xxxx ;
- PABA-35xxx-xxxx ;
- PABA 50xxx-xxxx ;

With Zhaga Book 3 for green indicator marks:
 BJB Holder:47.319.2040.50;
 Direct mounting with machine screws M3x8mm;
 Without LED holders for yellow indicator marks.
 Direct mounting with machine screws M3x8mm;

COB CIII Series Modules names:

- PACC-40xxx-xxxx ;

With Zhaga Book 3 for green indicator marks:
 BJB Holder:47.319.2030.50;
 Direct mounting with machine screws M3x8mm;
 Without LED holders for blue indicator marks.
 Direct mounting with machine screws M3x8mm;



for

LED



EtraLED

EtraLED-PRO-130100 Prolight Modular Passive Star LED Heat Sink Φ 130mm

Mounting Options and Drawings & Dimensions

Example: EtraLED-PRO-130100-B-3

Example: EtraLED-PRO-130 **1** - **2** - **3**

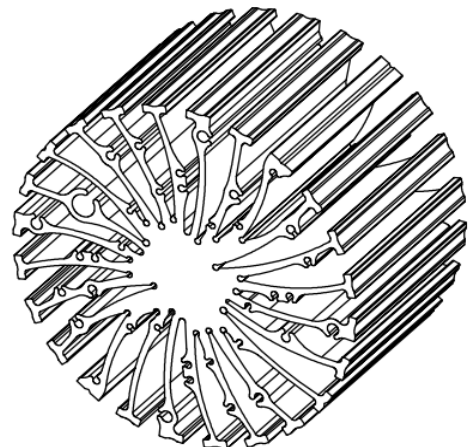
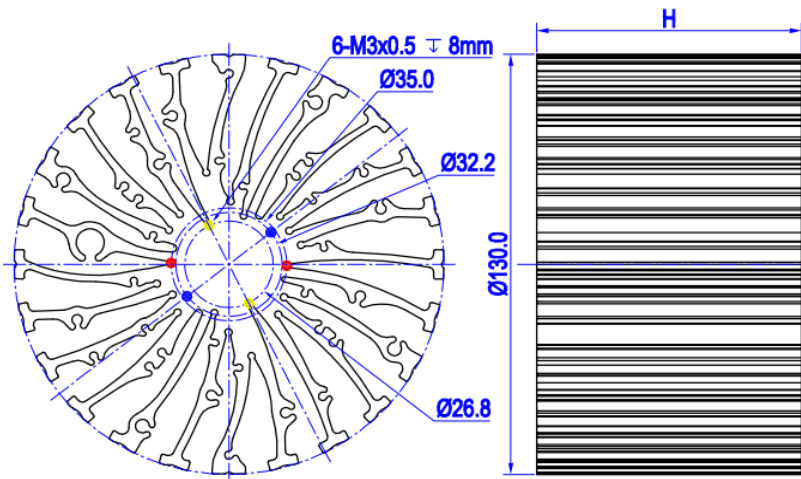
- 1** Height (mm)
- 2** Anodising Color
B-Black
C-Clear
Z-Custom
- 3** Mounting Options - see graphics for details Combinations available
Ex.order code - 12
means option 1 and 2 combined



Notes:

- Mentioned models are an extraction of full product range.
- For specific mechanical adaptations please contact MingfaTech.
- MingfaTech reserves the right to change products or specifications without prior notice.

MOUNTING OPTION	Module type	Holder NO.	THREAD	THREAD DEPTH	THREAD HOLE DISTANCE
1	COB BI Series COB CII Series	/	M3	8mm	26.8mm/ 2-@180°
2	COB CIII Series	/	M3	8mm	32.2mm/ 2-@180°
3	COB CII Series	BJB 47.319.2021.50	M3	8mm	35.0mm/ 2-@180° Zhaga Book3
	COB CIII Series	BJB 47.319.2030.50			
	COB BI Series	BJB 47.319.2040.50			





for

LED



EtraLED

EtraLED-PRO-130100 Prolight Modular Passive Star LED Heat Sink Φ 130mm

The thermal data table

	 <i>EtraLED-130100</i>
Model No.	EtraLED-PRO-130100
Size	Φ130xH100mm
Material	AL6063-T5
Finish	Black Anodized
Weight(gr)	1384.0
Thermal Wattage	76.2W
HeatsinkΘs-a²	304263
Heat Sink T Rise Above Ambient	0.65

Dissipated Power Pd(W)	Pd = Pe x (1- η L)	Heat sink to ambient thermal resistance Rhs-amb ($^{\circ}$ C/W)	Heat sink to ambient temperature rise Ths-amb ($^{\circ}$ C)
		EtraLED-PRO-130100	EtraLED-PRO-130100
15		1.20	18.0
25		1.00	25.0
30		0.95	28.5
40		0.75	30.0
50		0.70	35.0
55		0.68	37.4
65		0.67	43.6
75		0.65	48.8

