



for

LED

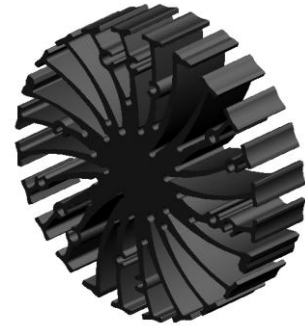


EtraLED

EtraLED-SHA-8520 Sharp Modular Passive Star LED Heat Sink  $\Phi$ 85mm

### Features VS Benefits

- \* The EtraLED-SHA-8520 Sharp Modular Passive Star LED Heat Sinks are specifically designed for luminaires using the Sharp LED engines.
- \* Mechanical compatibility with direct mounting of the LED engines to the LED cooler and thermal performance matching the lumen packages.
- \* For spotlight and downlight designs from 1000 to 3000 lumen.
- \* Thermal resistance range Rth 2.0°C/W.
- \* Modular design with mounting holes foreseen for direct mounting of SHARP Mini Zenigata and Mega Zenigata LED engines.
- \* Diameter 85mm - standard height 20mm Other heights on request.
- \* Extruded from highly conductive aluminum.



### Zhaga LED engine and radiator assembly is a unified future international standardization

- \* Below you find an overview of Sharp engines COB's and LED modules which standard fit on the EtraLED Star LED Heat Sinks.
- \* In this way mechanical after work and related costs can be avoided, and lighting designers can standardize their designs on a limited number of Star LED Heat Sinks.

# SHARP



### Sharp LED Modules Mounting indicator marks overview

#### Mini Mega Zenigata Modules names:

GW6BMR27HED;	GW6BGR27HED;
GW6BMR30HED;	GW6BGR30HED;
GW6BMR40HED;	GW6BGR40HED;
GW6BMR50HED;	GW6BGR50HED;
GW6BMS27HED;	GW6BGS27HED;
GW6BMS30HED;	GW6BGS30HED;
GW6BMS40HED;	GW6BGS40HED;
GW6BMS50HED;	GW6BGS50HED;

#### Zhaga Book11 Holders:

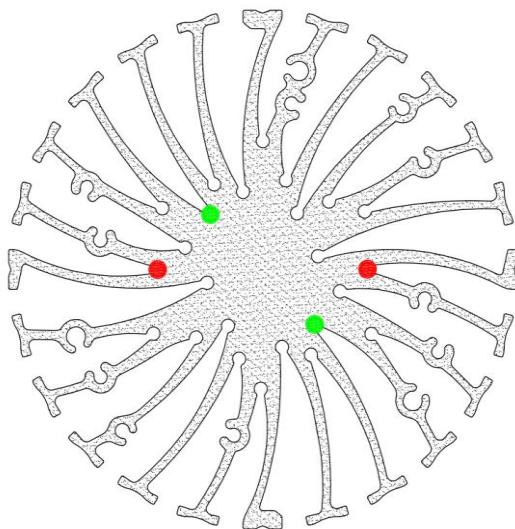
BJB holder:47.319.6180.50; A.A.G Stucchi holder:8300/G2  
 Direct mounting with machine screws M3x8mm;  
 Green indicator marks

#### Mega Zenigata LED modules names:

GW6DGA27XFC;	GW6DMA27XFC;
GW6DGA30XFC;	GW6DMA30XFC;
GW6DGA40XFC;	GW6DMA40XFC;
GW6DGA50XFC;	GW6DMA50XFC;

#### Zhaga Book3 Holders:

TE Connectivity:2213130-2;  
 BJB holder:47.319.2011.50;  
 A.A.G Stucchi holder:8301/G2  
 Mounting with machine screws M3x8mm;  
 Red indicator marks



Tel:+86-769-39023131  
 E-fax:+86-(020)28819702 ext:22122  
 Email:sales@mingfatech.com  
 Http://www.heatsinkled.com  
 Http://www.mingfatech.com





for

LED



EtraLED

EtraLED-SHA-8520 Sharp Modular Passive Star LED Heat Sink  $\Phi$ 85mm

**Mounting Options and Drawings & Dimensions**

Example: EtraLED-SHA-8520-B-3

Example: EtraLED-SHA-85 **1** - **2** - **3**

- 1** Height (mm)
- 2** Anodising Color  
B-Black  
C-Clear  
Z-Custom
- 3** Mounting Options - see graphics for details Combinations available  
Ex.order code - 12  
means option 1 and 2 combined

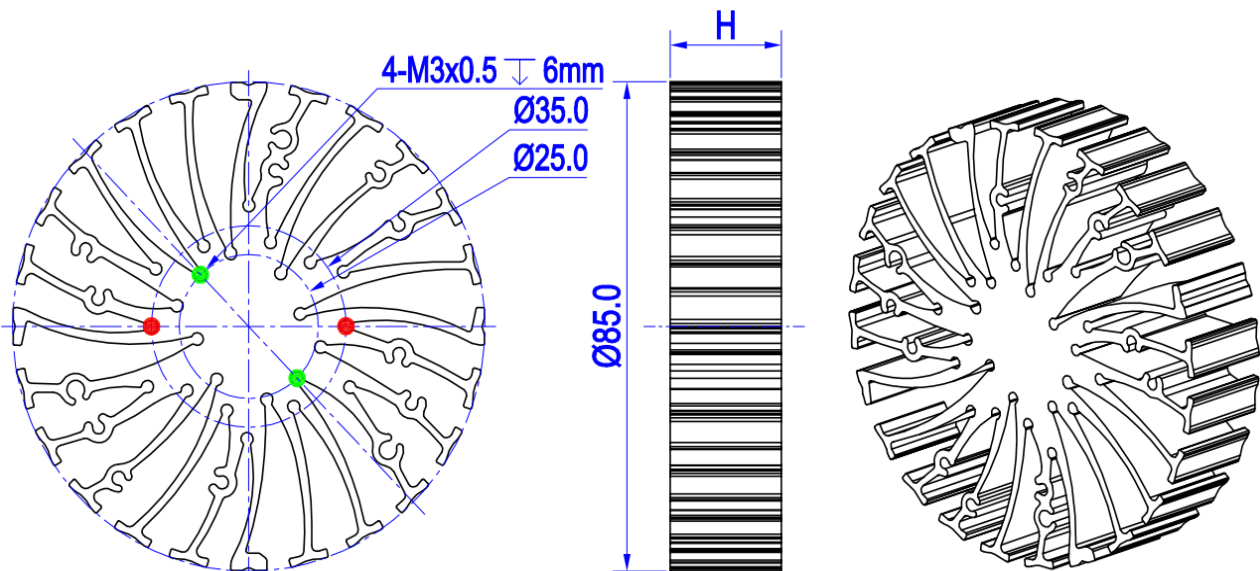
**Notes:**

- Mentioned models are an extraction of full product range.
- For specific mechanical adaptations please contact MingfaTech.
- MingfaTech reserves the right to change products or specifications without prior notice.

**SHARP**



MOUNTING OPTION	Module type	Holder NO.	THREAD	THREAD DEPTH	THREAD HOLE DISTANCE
1	Mini ZENIGATA	BJB (47.319.6180.50)	M3	8mm	25.0mm/ @180°
		A.A.G Stucchi (8300/G2)			
2	Mega ZENIGATA	BJB (47.319.2011.50)	M3	8mm	35.0mm/ @180°
		Type (2213130-2)			
		A.A.G Stucchi (8301/G2)			



Tel:+86-769-39023131  
 E-fax:+86-(020)28819702 ext:22122  
 Email:sales@mingfatech.com  
 Http://www.heatsinkled.com  
 Http://www.mingfatech.com



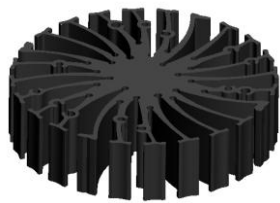
for

LED

*EtraLED*

*EtraLED-SHA-8520 Sharp Modular Passive Star LED Heat Sink Φ85mm*

The thermal data table

	 <i>EtraLED-8520</i>
<b>Model No.</b>	EtraLED-SHA-8520
<b>Size</b>	Φ85xH20mm
<b>Material</b>	AL6063-T5
<b>Finish</b>	Black Anodized
<b>Weight(gr)</b>	115.0
<b>Thermal Wattage</b>	25.0W
<b>HeatsinkOs-a<sup>2</sup></b>	40076
<b>Heat Sink T Rise Above Ambient</b>	2.0

Dissipated Power Pd(W)	Heat sink to ambient thermal resistance Rhs-amb (°C/W)		Heat sink to ambient temperature rise Ths-amb (°C)	
	Pd = Pe x (1-ηL)	EtraLED-SHA-8520	EtraLED-SHA-8520	EtraLED-SHA-8520
6		2.7		16
12		1.8		22
18		2.1		37
24		2.0		48
30		1.9		57

