



for

LED



xLED

xLED-SHA-4568 Pin Fin LED Heat Sink Φ 45mm for Sharp

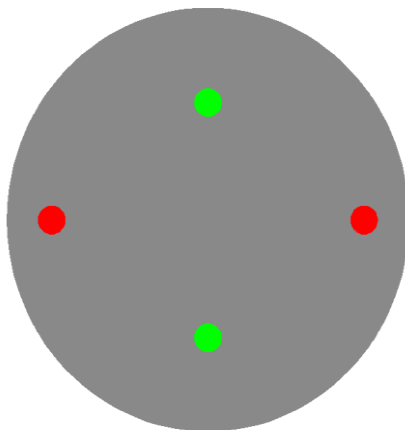
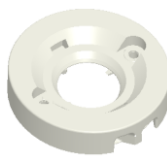
Features VS Benefits

- * The xLED-SHA-4568 Sharp Pin Fin LED Heat Sink are specifically designed for luminaires using the Sharp LED engines.
- * Mechanical compatibility with direct mounting of the LED engines to the LED cooler and thermal performance matching the lumen packages.
- * For spotlight and downlight designs from 600 to 1400 lumen.
- * Thermal resistance range Rth 4.2°C/W.
- * Modular design with mounting holes foreseen for direct mounting of SHARP Mini Zenigata LED engines.
- * Diameter 45mm - standard height 68mm Other heights on request.
- * Forged from highly conductive aluminum.

Zhaga LED engine and radiator assembly is a unified future international standardization

- * Below you find an overview of Sharp engines COB's and LED modules which standard fit on the xLED Pin Fin LED Heat Sinks.
- * In this way mechanical after work and related costs can be avoided, and lighting designers can standardize their designs on a limited number of LED Pin Fin LED Heat Sink.

SHARP



Sharp LED Modules Mounting indicator marks overview

Mini Mega Zenigata Modules names:

GW6BLC27C0C;	GW6BMG27HED;
GW6BLC30C0C;	GW6BMG30HED;
GW6BLC40C0C;	GW6BMG40HED;
GW6BLC50C0C;	GW6BMG50HED;
GW6BLQ27C0C;	GW6BME27HED;
GW6BLQ30C0C;	GW6BME30HED;
GW6BLQ40C0C;	GW6BME40HED;
GW6BLQ50C0C;	GW6BME50HED;
GW6BMF27JEC;	GW6BGG27HED;
GW6BMF30JEC;	GW6BGG30HED;
GW6BMF40JEC;	GW6BGG40HED;
GW6BMF50JEC;	GW6BGG50HED;

Zhaga Book11 Holders:

BJB holder:47.319.6180.50; A.A.G Stucchi holder:8300/G2

Mounting with machine screws M3x8mm;

Green indicator marks

Tel:+86-769-33252828 +86-769-33251919

E-fax:+86-(020)28819702 ext:22122

Email:sales@mingfatech.com

Http://www.heatsinkled.com

Http://www.mingfatech.com



xLED

xLED-SHA-4568 Pin Fin LED Heat Sink Φ 45mm for Sharp

Mounting Options and Drawings & Dimensions

Example:xLED-SHA-4568-B-3

Example:xLED-SHA-45 **1** - **2** - **3**

- 1** Height (mm)
- 2** Anodising Color
B-Black
C-Clear
Z-Custom
- 3** Mounting Options - see graphics for details Combinations available
Ex.order code - 12
means option 1 and 2 combined

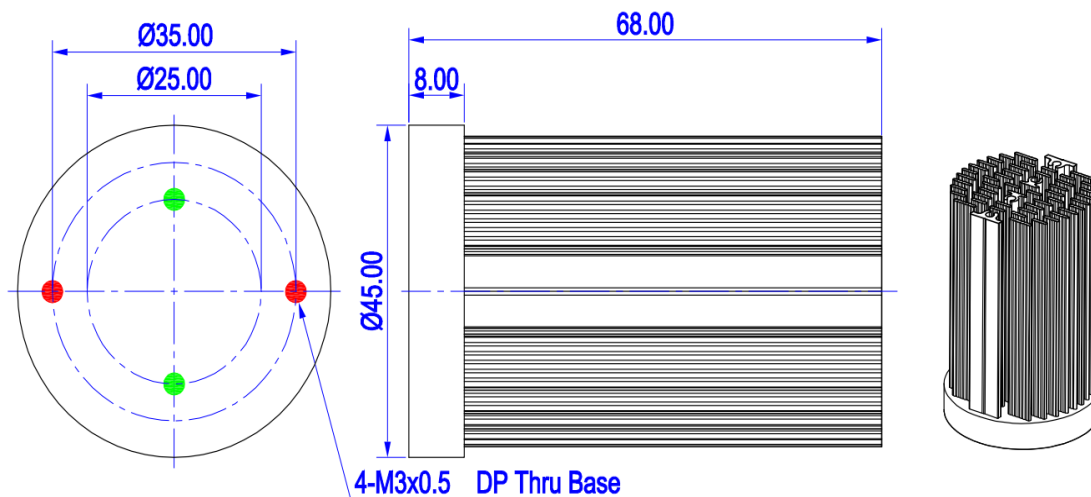
Notes:

- Mentioned models are an extraction of full product range.
- For specific mechanical adaptations please contact MingfaTech.
- MingfaTech reserves the right to change products or specifications without prior notice.

SHARP



MOUNTING OPTION	Module type	Holder NO.	THREAD	THREAD DEPTH	THREAD HOLE DISTANCE
1	Mini ZENIGATA	BJB (47.319.6180.50)	M3	6mm	25.0mm/ @180°
		A.A.G Stucchi (8300/G2)			
2	Mega ZENIGATA	BJB (47.319.2011.50)	M3	6mm	35.0mm/ @180°
		Type (2213130-2)			
		A.A.G Stucchi (8301/G2)			



xLED

xLED-SHA-4568 Pin Fin LED Heat Sink Φ45mm for Sharp

The thermal data table

	 <i>xLED-4568</i>
Model No.	xLED-SHA-4568
Size	Φ45xH68mm
Material	AL1070
Finish	Black Anodized
Weight(gr)	90.0
Thermal Wattage	12.0W
HeatsinkOs-a²	49775
Heat Sink T_{Rise Above Ambient}	4.2

Dissipated Power Pd(W)	Pd = Pe x (1-ηL)	Heat sink to ambient thermal resistance Rhs-amb (°C/W)	Heat sink to ambient temperature rise Ths-amb (°C)
		xLED-SHA-4568	
3.0		5.7	17.0
6.0		4.8	29.0
9.0		4.6	41.0
12.0		4.2	50.0
15.0		3.9	58.0

