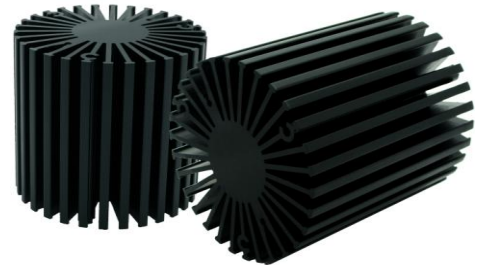


*SimpoleD*

**SimpoleD-LUN-5850 for Luminus Modular Passive LED Cooler  $\Phi$ 58mm**

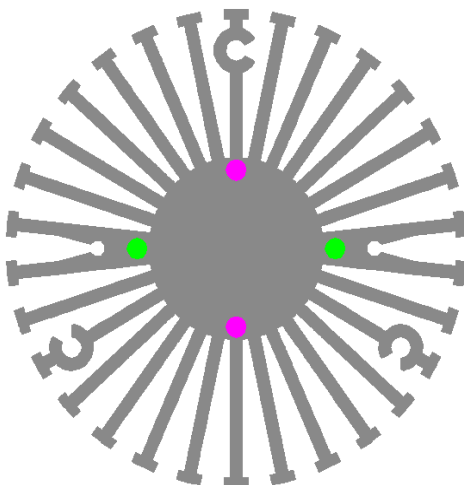
**Features VS Benefits**

- \* The SimpoleD-LUN-5850 Luminus Modular Passive LED Coolers are specifically designed for luminaires using the Luminus LED engines.
- \* Mechanical compatibility with direct mounting of the LED engines to the LED cooler and thermal performance matching the lumen packages.
- \* For spotlight and downlight designs from 400 to 1600 lumen.
- \* Thermal resistance range  $R_{th}$  3.7°C/W.
- \* Modular design with mounting holes foreseen for direct mounting of Luminus COB LED engines.
- \* Diameter 58mm - standard height 50mm Other heights on request.
- \* Extruded from highly conductive aluminum.



**Luminus LED engine and radiator assembly directly Mounting Options**

- \* Below you find an overview of Luminus COB's and LED modules which standard fit on the SimpoleD coolers.
- \* In this way mechanical after work and related costs can be avoided, and lighting designers can standardize their designs on a limited number of LED coolers.



**Luminus LED engines Mounting Options**

**CLM-9 COB Arrays LED Modules names:**

- CLM-9-27-XX-36-AC00-XX-X;
- CLM-9-30-XX-36-AC00-XX-X;
- CLM-9-35-XX-36-AC00-XX-X;
- CLM-9-40-XX-36-AC00-XX-X;
- CLM-9-50-XX-36-AC00-XX-X;
- CLM-9-65-XX-36-AC00-XX-X;

**CXM-9 COB Arrays LED Modules names:**

- CXM-9-27-XX-36-AC00-XX-X;
- CXM-9-30-XX-36-AC00-XX-X;
- CXM-9-35-XX-36-AC00-XX-X;
- CXM-9-40-XX-36-AC00-XX-X;
- CXM-9-50-XX-36-AC00-XX-X;
- CXM-9-65-XX-36-AC00-XX-X;

**CHM-9 COB Arrays LED Modules names:**

- CHM-9-27-XX-36-AC00-XX-X;
- CHM-9-30-XX-36-AC00-XX-X;
- CHM-9-35-XX-36-AC00-XX-X;
- CHM-9-40-XX-36-AC00-XX-X;
- CHM-9-50-XX-36-AC00-XX-X;
- CHM-9-65-XX-36-AC00-XX-X;

With Zhaga Book 11 for green indicator marks:

BJB Holder:47.319.6060.50;

AAG.STUCCHI holder:8100-G2;

Direct mounting with machine screws M3x6mm;

Without LED holders for pink indicator marks.

Direct mounting with machine screws M3x6mm;

# SimpoleD

SimpoleD-LUN-5850 for Luminus Modular Passive LED Cooler  $\Phi$ 58mm

## Mounting Options and Drawings & Dimensions

Example: SimpoleD-LUN-5850-B-3

Example: SimpoleD-LUN-58 **1** - **2** - **3**

**1** Height (mm)

**2** Anodising Color

B-Black

C-Clear

Z-Custom

**3** Mounting Options - see graphics for details Combinations available

Ex.order code - 12

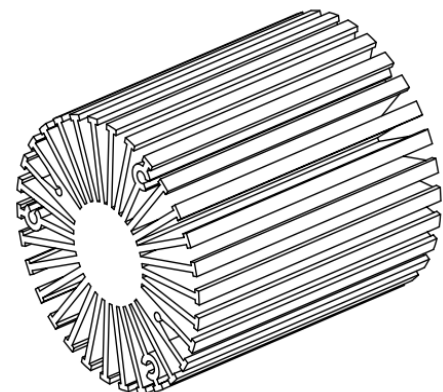
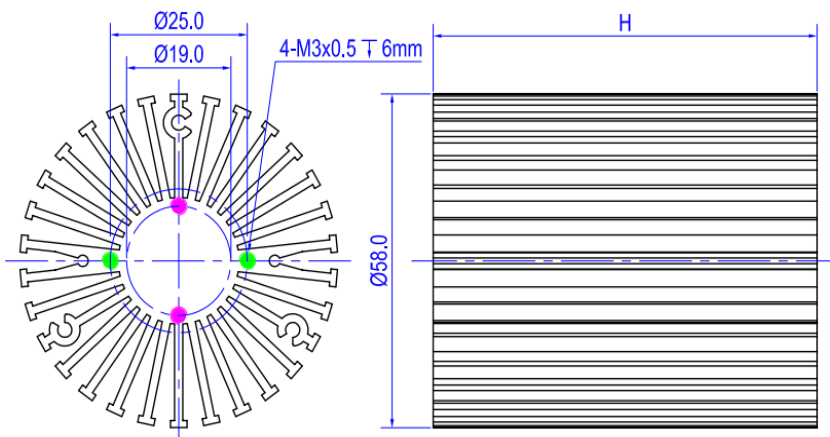
means option 1 and 2 combined

**Notes:**

- Mentioned models are an extraction of full product range.
- For specific mechanical adaptations please contact MingfaTech.
- MingfaTech reserves the right to change products or specifications without prior notice.



MOUNTING OPTION	Module type	Holder NO.	THREAD	THREAD DEPTH	THREAD HOLE DISTANCE
1		/	M3	6mm	19.0mm/ 2-@180°
2	CLM-9 CXM-9 CHM-9	AAG.STUCCHI 8100-G2	M3	6mm	25.0mm/ 2-@180°
		BJB 47.313.6060.50			



*SimpoleD*

SimpoleD-LUN-5850 for Luminus Modular Passive LED Cooler  $\Phi$ 58mm

The thermal data table

	 <i>SimpoleD-5850</i>
<b>Model No.</b>	<b>SimpoleD-LUN-5850</b>
<b>Size</b>	<b><math>\Phi</math>58xH50mm</b>
<b>Material</b>	<b>AL6063-T5</b>
<b>Finish</b>	<b>Black Anodized</b>
<b>Weight(gr)</b>	<b>174.0</b>
<b>Thermal Wattage</b>	<b>12.2W</b>
<b>Heatsink<math>\Theta</math>s-a<sup>2</sup></b>	<b>65040</b>
<b>Heat Sink T Rise Above Ambient</b>	<b>3.7</b>

Dissipated Power Pd(W)	Pd = Pe x (1- $\eta$ L)	Heat sink to ambient thermal resistance Rhs-amb (°C/W)	Heat sink to ambient temperature rise Ths-amb (°C)
		SimpoleD-LUN-5850	SimpoleD-LUN-5850
3.0		4.8	14.5
6.0		4.2	25.0
9.0		3.8	34.5
12.0		3.7	43.0
15.0		3.4	51.0
18.0		3.2	58.0

