



for

LED

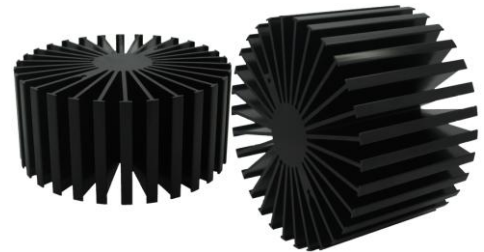


*SimpoleD*

**SimpoleD-PHI-11780 for Philips Modular Passive LED Cooler  $\Phi$ 117mm**

**Features VS Benefits**

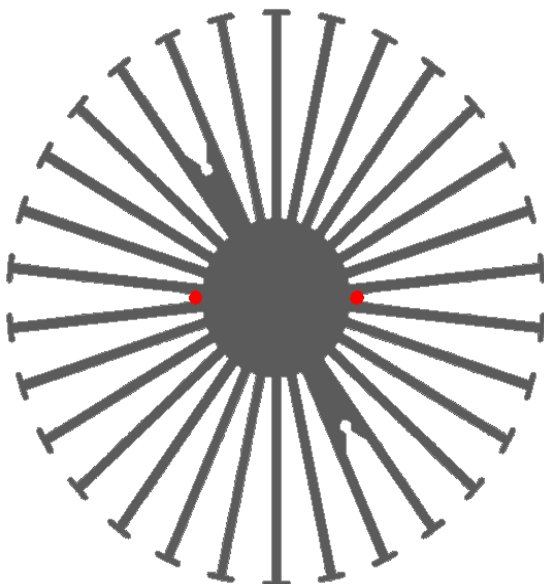
- \* The SimpoleD-PHI-11780 Philips Modular Passive LED Coolers are specifically designed for luminaires using the Philips LED engines.
- \* Mechanical compatibility with direct mounting of the LED engines to the LED cooler and thermal performance matching the lumen packages.
- \* For spotlight and downlight designs from 1700 to 7000 lumen.
- \* Thermal resistance range Rth 0.8°C/W.
- \* Modular design with mounting holes foreseen for direct mounting of Philips SLM engines.
- \* Diameter 117mm - standard height 80mm - Other heights on request.
- \* Extruded from highly conductive aluminum.



**Zhaga LED engine and radiator assembly is a unified future international standardization**

- \* Below you find an overview of Philips engines COB's and LED modules which standard fit on the SimpoleD coolers.
- \* In this way mechanical after work and related costs can be avoided, and lighting designers can standardize their designs on a limited number of LED coolers.

**PHILIPS**



Philips Spot Light LED engines for which Zhaga book3 LED Modules holders are available.

**Philips Fortimo SLM LED modular Gen4:**

- Fortimo LED SLM 4500LM 830 L19 G4;
- Fortimo LED SLM 4500LM 840 L19 G4;
- Fortimo LED SLM 4500LM 927 L19 G4;
- Fortimo LED SLM 4500LM 930 L19 G4;

**Philips Fortimo SLM LED modular Gen3:**

- Fortimo LED SLM 3000LM 930 L19 G3;
- Fortimo LED SLM 4500LM 840 L22 G3;
- Fortimo LED SLM 4500LM 930 L22 G3;

**Philips Fortimo SLM LED modular Gen2:**

- Fortimo LED SLM 3000LM 827 L13 G2;
- Fortimo LED SLM 3000LM 835 L13 G2;

Red indicator marks:

Direct mounting with machine screws M3x6mm;



# LED



*SimploLED*

SimploLED-PHI-11780 for Philips Modular Passive LED Cooler  $\Phi$ 117mm

## Mounting Options and Drawings & Dimensions

Example: SimploLED-PHI-11780-B-3

Example: SimploLED-PHI-117 **1** - **2** - **3**

- 1** Height (mm)
- 2** Anodising Color  
B-Black  
C-Clear  
Z-Custom
- 3** Mounting Options - see graphics for details Combinations available  
Ex.order code - 12  
means option 1 and 2 combined

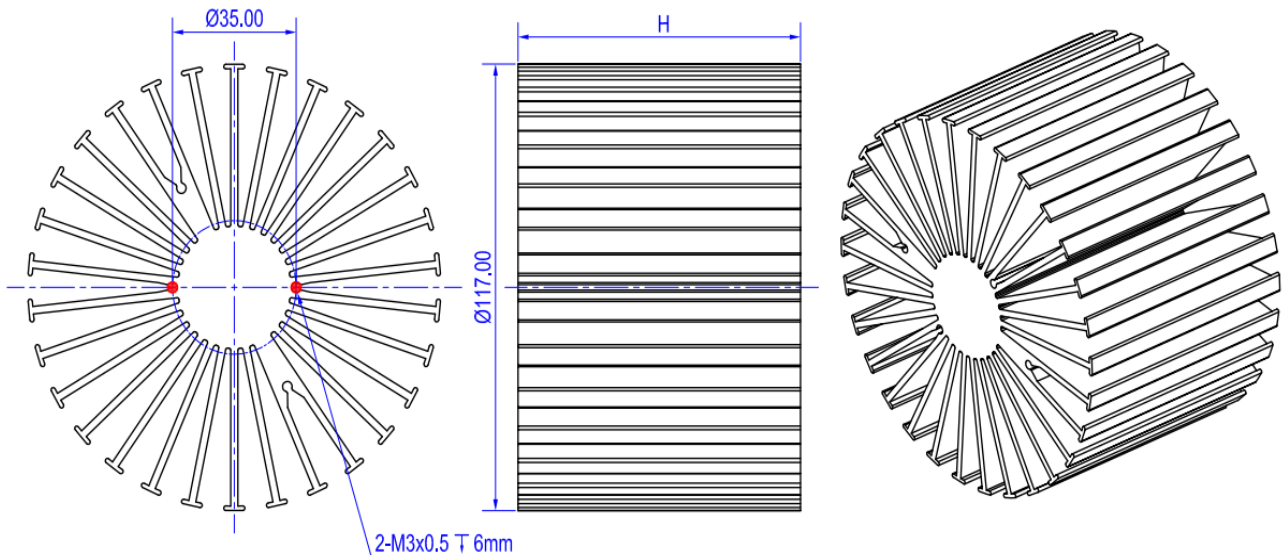
### Notes:

- Mentioned models are an extraction of full product range.
- For specific mechanical adaptations please contact MingfaTech.
- MingfaTech reserves the right to change products or specifications without prior notice.

# PHILIPS



MOUNTING OPTION	Module type	Holder NO.	THREAD	THREAD DEPTH	THREAD HOLE DISTANCE
1	Fortimo SLM	/	M3	6mm	35.0mm/ 2-@180°





for

LED



*SimpoleD*

SimpoleD-PHI-11780 for Philips Modular Passive LED Cooler  $\Phi$ 117mm

The thermal data table

	 <i>SimpoleD-11780</i>
<b>Model No.</b>	<b>SimpoleD-PHI-11780</b>
<b>Size</b>	<b><math>\Phi</math>117xH80mm</b>
<b>Material</b>	<b>AL6063-T5</b>
<b>Finish</b>	<b>Black Anodized</b>
<b>Weight(gr)</b>	<b>774.0</b>
<b>Thermal Wattage</b>	<b>60.7W</b>
<b>Heatsink<math>\Theta</math>s-a<sup>2</sup></b>	<b>231490</b>
<b>Heat Sink T Rise Above Ambient</b>	<b>0.8</b>

Dissipated Power Pd(W)	Pd = Pe x (1- $\eta$ L)	Heat sink to ambient thermal resistance Rhs-amb (°C/W)	Heat sink to ambient temperature rise Ths-amb (°C)
		SimpoleD-PHI-11780	SimpoleD-PHI-11780
15.0		1.01	15.2
30.0		0.88	26.4
45.0		0.80	36.1
60.0		0.75	45.2
75.0		0.71	53.8
90.0		0.68	62.0

