

General Specifications

Speed: 0-3000RPM
 Insulation Resistance: 100MIN, 500VDC
 Ambient Temperature: (0-55)°C
 Encoder lines: 2500/1000

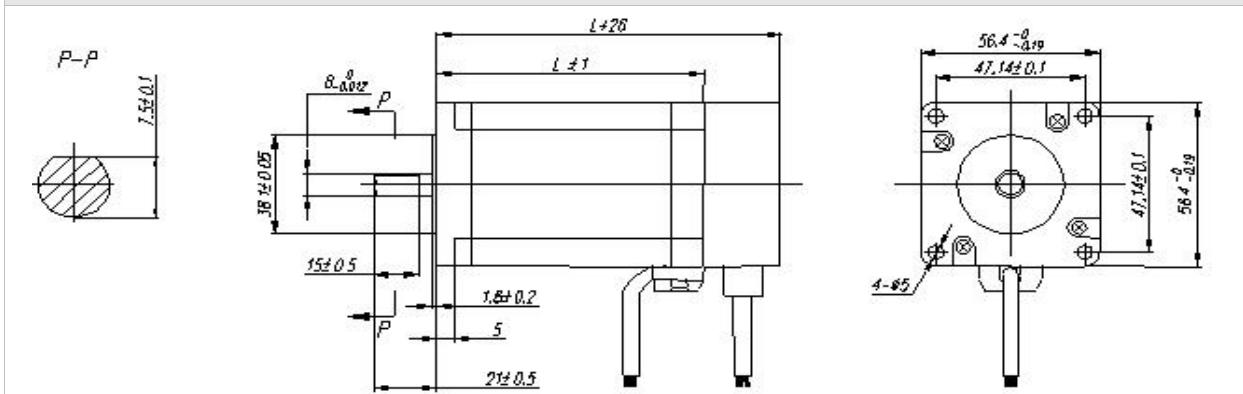
Picture



Electrical Specification

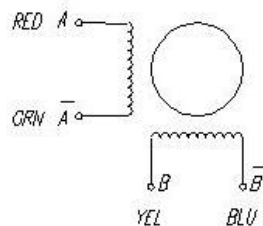
Series Model	Rated Voltage (V)	L (mm)	Phase Current (A)	Phase Resistance (Ω)	Phase Inductance (mH)	Holding Torque (N.cm)	Moment of Inertia (g.cm ²)	Motor Weight (g)
HS561-11030A	2.4	56	3.0	0.8	2.4	110	200	980
HS561-11042A	1.68	56	4.2	0.4	1.2	110	200	980
HS561-22030A	3.6	80	3.0	1.2	4.0	220	480	1400
HS561-22042A	2.94	80	4.2	0.7	2.0	220	480	1400
HS561-25030A	4.2	100	3.0	1.4	5.5	250	800	1550
HS561-28042A	2.94	100	4.2	0.7	2.5	280	800	1550

Mechanical Dimensions



Standard Leadwire Configuration

BI-POLAR(4 LEADS)



Complementary Products:

- Special shaft
- Encoders
- Connector
- Long leadwires