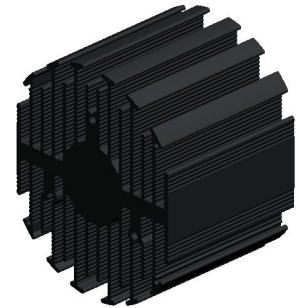


Features VS Benefits

- * The eLED-SHA-7050 SHARP Modular Passive LED Coolers are specifically designed for luminaires using the SHARP LED engines.
- * Mechanical compatibility with direct mounting of the LED engines to the LED cooler and thermal performance matching the lumen packages.
- * For spotlight and downlight designs from 1000 to 2600 lumen.
- * Thermal resistance range R_{th} 2.18°C/W.
- * Modular design with mounting holes foreseen for direct mounting of SHARP Mini Zenigata, Tiger Zenigata and Mega Zenigata LED engines.
- * Diameter 70mm - standard height 50mm Other heights on request.
- * Extruded from highly conductive aluminum.



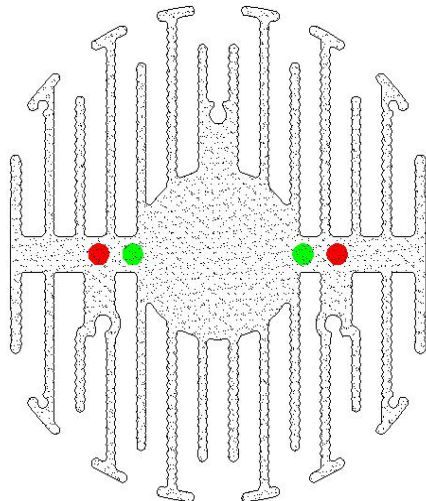
Zhaga LED engine and radiator assembly is a unified future international standardization

- * Below you find an overview of SHARP engines COB's and LED modules which standard fit on the eLED Simpo coolers.
- * In this way mechanical after work and related costs can be avoided, and lighting designers can standardize their designs on a limited number of LED coolers.

SHARP

BJB

TE
connectivity



Sharp LED Modules Mounting indicator marks overview

Mega Zenigata LED modules name:

- | | |
|--------------|--------------|
| GW6DGA27XFC; | GW6DMC27XFC; |
| GW6DGA30XFC; | GW6DMC30XFC; |
| GW6DGA40XFC; | GW6DMC40XFC; |
| GW6DGA50XFC; | GW6DMC50XFC; |
| GW6DGC27XFC; | GW6DMA27XFC; |
| GW6DGC30XFC; | GW6DMA30XFC; |
| GW6DGC40XFC; | GW6DMA35XFC; |
| GW6DGC50XFC; | GW6DMA40XFC; |
| GW6TGCBG40C; | GW6DMA50XFC; |

Zhaga Book3 Holders:
 BJB Spotlight connector:47.319.2011.50;
 TE Connectivity:2213130-2
 Direct mounting with machine screws M3x8mm;
 Red indicator marks

Mini Mega Zenigata LED modules name:

- | | |
|--------------|--------------|
| GW6BMR27HED; | GW6BGR27HED; |
| GW6BMR30HED; | GW6BGR30HED; |
| GW6BMR40HED; | GW6BGR40HED; |
| GW6BMR50HED; | GW6BGR50HED; |
| GW6BMS27HED; | GW6BGS27HED; |
| GW6BMS30HED; | GW6BGS30HED; |
| GW6BMS40HED; | GW6BGS40HED; |
| GW6BMS50HED; | GW6BGS50HED; |

Zhaga Book11 Holders:
 BJB Spotlight connector:47.319.6180.50;
 Direct mounting with machine screws M3x8mm;
 Red indicator marks

eLED

eLED-SHA-7050 Sharp Modular Passive Star LED Heat Sink Φ 70mm

Mounting Options and Drawings & Dimensions

Example:eLED-SHA-7050-B-1

Example:eLED-SHA-7050-**1**-**2**-**3**

1 Height (mm)

2 Anodising Color

B-Black

C-Clear

Z-Custom

3 Mounting Options - see graphics for details Combinations available

Ex.order code - 12

means option 1 and 2 combined

Notes:

- Mentioned models are an extraction of full product range.

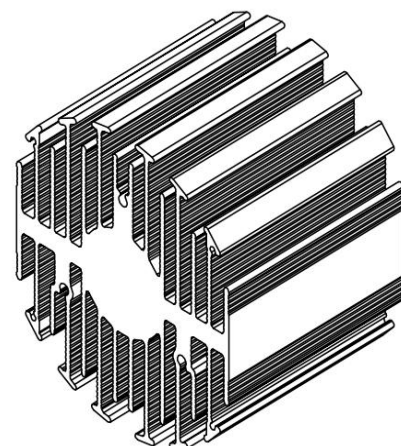
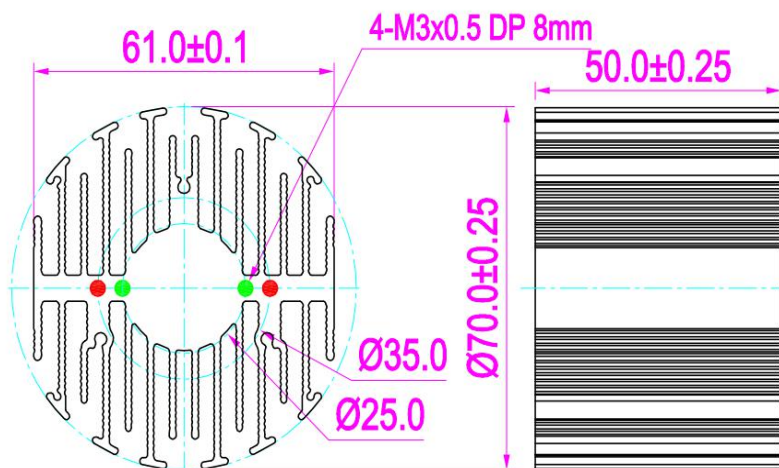
- For specific mechanical adaptations please contact MingfaTech.

- MingfaTech reserves the right to change products or specifications with out prior notice.

SHARP



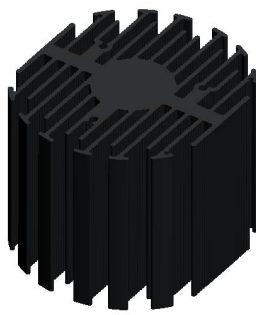
MOUNTING OPTION	Module type	Holder NO.	THREAD	THREAD DEPTH	THREAD HOLE DISTANCE
1	Mini ZENIGATA	BJB:(47.319.6180.50)	M3	6.5mm	25.0mm/ @180°
2	Mega ZENIGATA	BJB:(47.319.2011.50)	M3	6.5mm	35.0mm/ @180°
	Tiger Zenigataand	Type :(2213130-2)			



eLED

eLED-SHA-7050 Sharp Modular Passive Star LED Heat Sink Φ 70mm

The thermal data table

	
	eLED-7050
Model No.	eLED-SHA-7050
Size	Φ 70xH50mm
Material	AL6063-T5
Finish	Black Anodized
Weight(gr)	206
Thermal Wattage	22.9W
HeatsinkOs-a²	73369
Heat Sink T Rise Above Ambient	2.18

Dissipated Power Pd(W)	Pd = Pe x (1-ηL)	Heat sink to ambient thermal resistance Rhs-amb (°C/W)	Heat sink to ambient temperature rise T _{hs-amb} (°C)
		eLED-SHA-7050	
5		3.40	17
10		2.80	28
15		2.70	37
20		2.25	45
25		2.16	54

