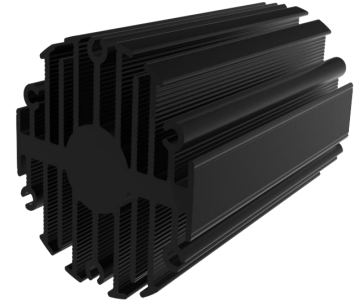


eLED

eLED-LUN-4680 Luminus Modular Passive Star LED Heat Sink  $\Phi$ 46mm

**Features VS Benefits**

- \* The eLED-LUN-4680 Luminus Modular Passive Star LED Heat Sinks are specifically designed for luminaires using the Luminus LED engines.
- \* Mechanical compatibility with direct mounting of the LED engines to the LED cooler and thermal performance matching the lumen packages.
- \* For spotlight and downlight designs from 600 to 1600 lumen.
- \* Thermal resistance range  $R_{th}$  3.8°C/W.
- \* Modular design with mounting holes foreseen for direct mounting of Luminus COB LED engines.
- \* Diameter 46.5mm - standard height 80mm Other heights on request.
- \* Extruded from highly conductive aluminum.

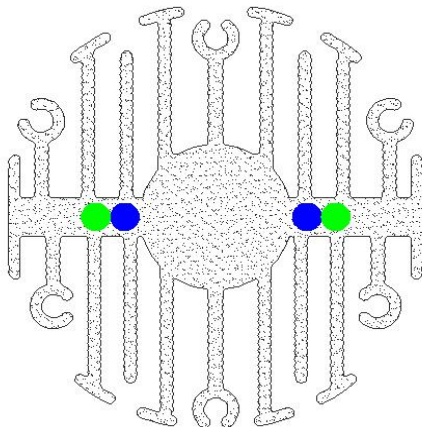


**Zhaga LED engine and radiator assembly is a unified future international standardization**

- \* Below you find an overview of Luminus COB's and LED modules which standard fit on the eLED Star LED Heat Sinks.
- \* In this way mechanical after work and related costs can be avoided, and lighting designers can standardize their designs on a limited number of Star LED Heat Sinks.



STUCCHI  
ideas are made of light



**Luminus LED engines Mounting Options**

**CLM-9 COB Arrays LED Modules names:**

- CLM-9-27-XX-36-AC00-XX-X;
- CLM-9-30-XX-36-AC00-XX-X;
- CLM-9-35-XX-36-AC00-XX-X;
- CLM-9-40-XX-36-AC00-XX-X;
- CLM-9-50-XX-36-AC00-XX-X;
- CLM-9-65-XX-36-AC00-XX-X;

**CXM-9 COB Arrays LED Modules names:**

- CXM-9-27-XX-36-AC00-XX-X;
- CXM-9-30-XX-36-AC00-XX-X;
- CXM-9-35-XX-36-AC00-XX-X;
- CXM-9-40-XX-36-AC00-XX-X;
- CXM-9-50-XX-36-AC00-XX-X;
- CXM-9-65-XX-36-AC00-XX-X;

**CHM-9 COB Arrays LED Modules names:**

- CHM-9-27-XX-36-AC00-XX-X;
- CHM-9-30-XX-36-AC00-XX-X;
- CHM-9-35-XX-36-AC00-XX-X;
- CHM-9-40-XX-36-AC00-XX-X;
- CHM-9-50-XX-36-AC00-XX-X;
- CHM-9-65-XX-36-AC00-XX-X;

**With Zhaga Book 11 for green indicator marks:**

- BJB Holder:47.319.6060.50;
- AAG.STUCCHI holder:8100-G2;
- Direct mounting with machine screws M3x8mm;
- Without LED holders for blue indicator marks.
- Direct mounting with machine screws M3x8mm;

eLED

eLED-LUN-4680 Luminus Modular Passive Star LED Heat Sink  $\Phi$ 46mm

Mounting Options and Drawings & Dimensions

Example:eLED-LUN-4680-B-1

Example:eLED-LUN-4680-**1**-**2**-**3**

- 1** Height (mm)
- 2** Anodising Color  
B-Black  
C-Clear  
Z-Custom
- 3** Mounting Options - see graphics for details Combinations available  
Ex.order code - 12  
means option 1 and 2 combined



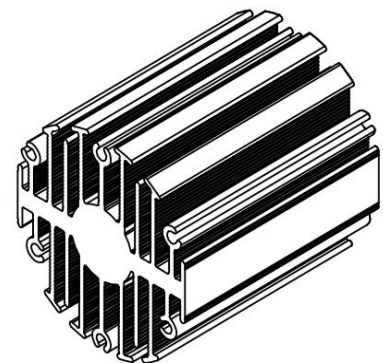
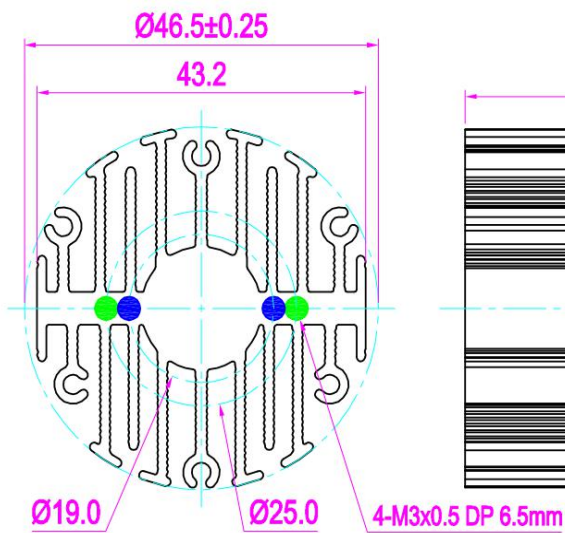
Notes:

- Mentioned models are an extraction of full product range.
- For specific mechanical adaptations please contact MingfaTech.

MingfaTech reserves the right to change products or specifications without prior notice.

Note : option 1 and option 2 can not be combined

MOUNTING OPTION	Module type	Holder NO.	THREAD	THREAD DEPTH	THREAD HOLE DISTANCE
1		/	M3	6.5mm	19.0mm/ 2-@180°
2	CLM-9 CXM-9 CHM-9	AAG.STUCCHI 8100-G2	M3	6.5mm	25.0mm/ 2-@180°
		BJB 47.313.6060.50			



eLED

eLED-LUN-4680 Luminus Modular Passive Star LED Heat Sink  $\Phi$ 46mm

The thermal data table

	 <i>eLED-4680</i>
<b>Model No.</b>	<b>eLED-LUN-4680</b>
<b>Size</b>	<b><math>\Phi</math>46.5xH80mm</b>
<b>Material</b>	<b>AL6063-T5</b>
<b>Finish</b>	<b>Black Anodized</b>
<b>Weight(g)</b>	<b>161.5</b>
<b>Thermal Wattage</b>	<b>13.0W</b>
<b>Heatsink<math>\Theta</math>s-a<sup>2</sup></b>	<b>65150</b>
<b>Heat Sink T Rise Above Ambient</b>	<b>3.8</b>

Dissipated Power Pd(W)	Pd = Pe x (1- $\eta$ L)	Heat sink to ambient thermal resistance Rhs-amb ( $^{\circ}$ C/W)	Heat sink toambienttemperature riseThs-amb ( $^{\circ}$ C)
		eLED-LUN-4680	
	3	4.67	14
	6	4.67	28
	9	4.33	39
	12	4.00	48
	15	3.73	56

