



# Mingfa TECH for LED

**EtraLED**

**EtraLED-SHA-4880 Sharp Modular Passive Star LED Heat Sink  $\Phi$ 48mm**

## Features VS Benefits

- \* The EtraLED-SHA-4880 Sharp Modular Passive Star LED Heat Sinks are specifically designed for luminaires using the Sharp LED engines.
- \* Mechanical compatibility with direct mounting of the LED engines to the LED cooler and thermal performance matching the lumen packages.
- \* For spotlight and downlight designs from 600 to 1700 lumen.
- \* Thermal resistance range  $R_{th}$  3.6°C/W.
- \* Modular design with mounting holes foreseen for direct mounting of SHARP Mini Zenigata LED engines.
- \* Diameter 48mm - standard height 80mm Other heights on request.
- \* Extruded from highly conductive aluminum.



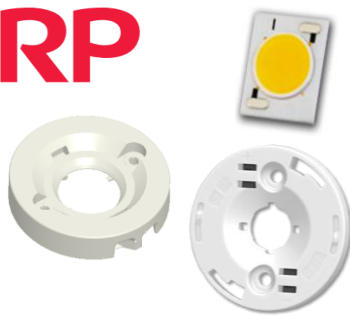
## Zhaga LED engine and radiator assembly is a unified future international standardization

- \* Below you find an overview of Sharp engines COB's and LED modules which standard fit on the EtraLED Star LED Heat Sinks.
- \* In this way mechanical after work and related costs can be avoided, and lighting designers can standardize their designs on a limited number of Star LED Heat Sinks.

**SHARP**

**BJB**

**TE**  
connectivity



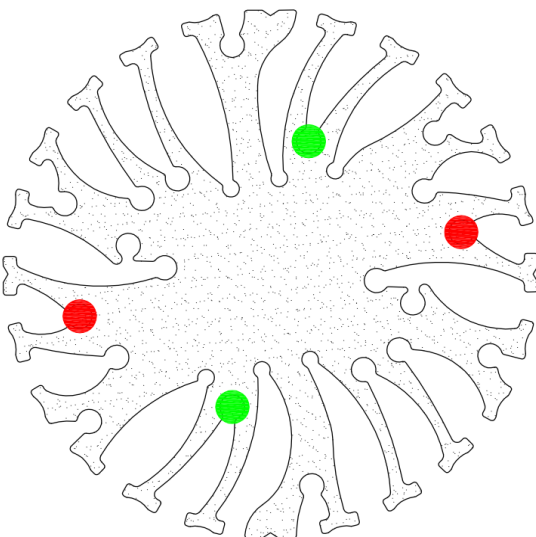
## Sharp LED engines Mounting Options

### Mini Mega Zenigata Modules names:

GW6BLC27C0C;	GW6BMG27HED;
GW6BLC30C0C;	GW6BMG30HED;
GW6BLC40C0C;	GW6BMG40HED;
GW6BLC50C0C;	GW6BMG50HED;
GW6BLQ27C0C;	GW6BME27HED;
GW6BLQ30C0C;	GW6BME30HED;
GW6BLQ40C0C;	GW6BME40HED;
GW6BLQ50C0C;	GW6BME50HED;
GW6BMF27JEC;	GW6BGG27HED;
GW6BMF30JEC;	GW6BGG30HED;
GW6BMF40JEC;	GW6BGG40HED;
GW6BMF50JEC;	GW6BGG50HED;

### Zhaga Book11 Holders:

BJB holder:47.319.6180.50;  
A.A.G Stucchi holder:8300/G2  
Direct mounting with machine screws M3x8mm;  
Green indicator marks



Tel:+86-769-39023131

E-fax:+86-(020)28819702 ext:22122

Email:sales@mingfatech.com

Http://www.heatsinkled.com

Http://www.mingfatech.com





# LED



**EtraLED**

EtraLED-SHA-4880 Sharp Modular Passive Star LED Heat Sink  $\Phi$ 48mm

## Mounting Options and Drawings & Dimensions

Example: EtraLED-SHA-4880-B-3

Example: EtraLED-SHA-48 **1** - **2** - **3**

- 1** Height (mm)
- 2** Anodising Color  
B-Black  
C-Clear  
Z-Custom
- 3** Mounting Options - see graphics for details Combinations available  
Ex.order code - 12  
means option 1 and 2 combined

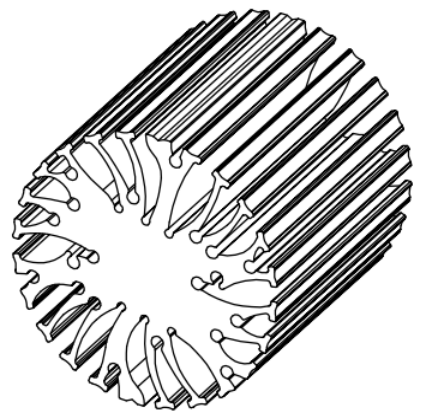
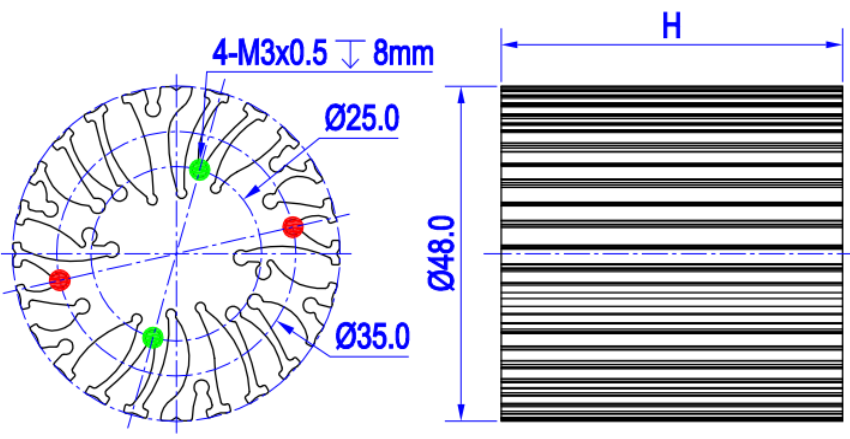
**Notes:**

- Mentioned models are an extraction of full product range.
- For specific mechanical adaptations please contact MingfaTech.
- MingfaTech reserves the right to change products or specifications without prior notice.

# SHARP



MOUNTING OPTION	Module type	Holder NO.	THREAD	THREAD DEPTH	THREAD HOLE DISTANCE
1	Mini ZENIGATA	BJB (47.319.6180.50)	M3	6mm	25.0mm/ @180°
		A.A.G Stucchi (8300/G2)			
2	Mega ZENIGATA	BJB (47.319.2011.50)	M3	6mm	35.0mm/ @180°
		Type (2213130-2)			
		A.A.G Stucchi (8301/G2)			



Tel:+86-769-39023131  
 E-fax:+86-(020)28819702 ext:22122  
 Email:sales@mingfatech.com  
 Http://www.heatsinkled.com  
 Http://www.mingfatech.com



*EtraLED*

EtraLED-SHA-4880 Sharp Modular Passive Star LED Heat Sink  $\Phi$ 48mm

The thermal data table

	 <i>EtraLED-4880</i>
<b>Model No.</b>	<b>EtraLED-SHA-4880</b>
<b>Size</b>	<b><math>\Phi</math>48xH80mm</b>
<b>Material</b>	<b>AL6063-T5</b>
<b>Finish</b>	<b>Black Anodized</b>
<b>Weight(gr)</b>	<b>213.0</b>
<b>Thermal Wattage</b>	<b>14.0W</b>
<b>HeatsinkOs-a<sup>2</sup></b>	<b>58826</b>
<b>Heat Sink T<sub>Rise</sub> Above Ambient</b>	<b>3.6</b>

	Pd = Pe x (1-ηL)	Heat sink to ambient thermal resistance Rhs-amb (°C/W)	Heat sink to ambient temperature rise Ths-amb (°C)
		EtraLED-SHA-4880	EtraLED-SHA-4880
Dissipated Power Pd(W)	2.5	4.4	11.0
	4.5	4.2	19.0
	7.0	3.7	26.0
	9.5	3.7	35.0
	12.0	3.6	43.0
	17.5	3.1	53.0
	24.0	2.8	66.0

