

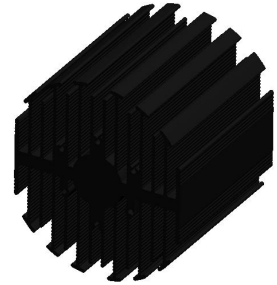


eLED

eLED-ADU-9580 Adura Modular Passive Star LED Heat Sink ϕ 95mm

Features VS Benefits

- * The eLED-ADU-9580 Adura Modular Passive Star LED Heat Sinks are specifically designed for luminaires using the Adura LED engines.
- * Mechanical compatibility with direct mounting of the LED engines to the LED cooler and thermal performance matching the lumen packages.
- * For spotlight and downlight designs from 2100 to 5500 lumen.
- * Thermal resistance range R_{th} 1.1°C/W.
- * Modular design with mounting holes foreseen for direct mounting of Adura LOB series engines.
- * Diameter 95mm - standard height 80mm Other heights on request.
- * Extruded from highly conductive aluminum.

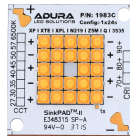


Zhaga LED engine and radiator assembly is a unified future international standardization

- * Below you find an overview of Adura LED modules which standard fit on the Star LED Heat Sinks.
- * In this way mechanical after work and related costs can be avoided, and lighting designers can standardize their designs on a limited number of Star LED Heat Sinks.



ADURA
LED SOLUTIONS



Adura LED Modules directly Mounting Options

LOB 1981C-A/1982C LED engines.

- LOB-150046D-0163535-xxx-1x16;
- LOB-300024D-0163535-xxx-2x8C;

With Zhaga Book 3 LED holder

BJB holder: 47.313.2030.50;

Ideal Holde: 50 - 2204 CT

Green indicator marks.

Mounting with machine screws M3x6.5mm;

Without LED holders for red indicator marks.

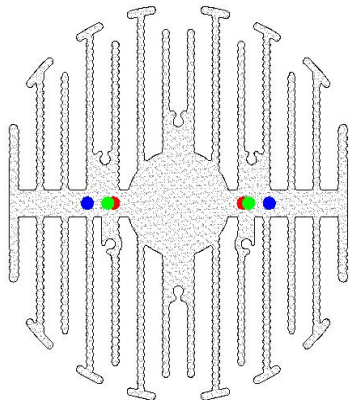
Direct mounting with machine screws M3x6.5mm;

LOB 1983C-A/1984C LED engines.

- LOB-150072D-0243535-xxx-1x24C;
- LOB-300036D-0243535-xxx-2x12C;

Without LED holders for blue indicator marks.

Direct mounting with machine screws M3x6.5mm;



eLED

eLED-ADU-9580 Adura Modular Passive Star LED Heat Sink ϕ 95mm

Mounting Options and Drawings & Dimensions

Example: eLED-ADU-9580-B-1,2

Example: eLED-ADU-9580-1-2-3

- 1 Height (mm)
- 2 Anodising Color
B-Black
C-Clear
Z-Custom
- 3 Mounting Options - see graphics for details Combinations available
Ex.order code - 12
means option 1 and 2 combined



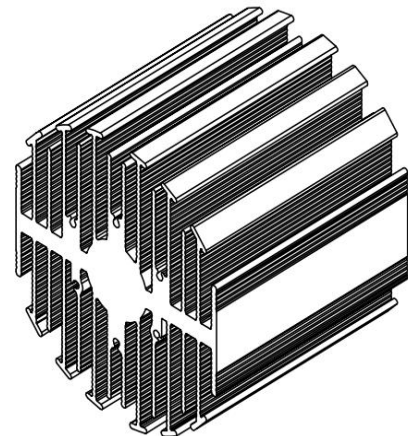
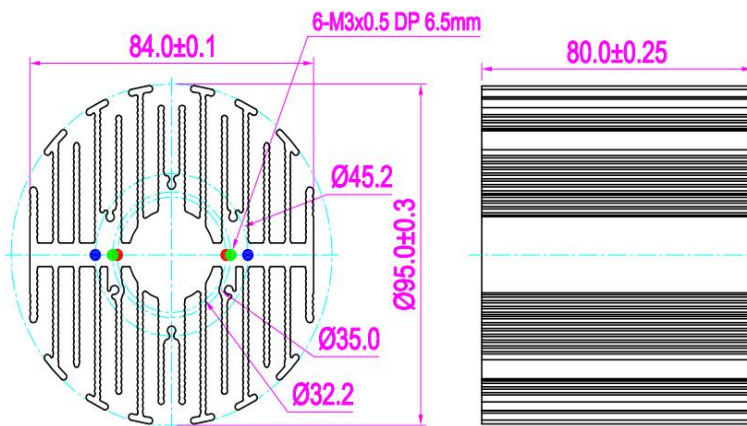
Notes:

- Mentioned models are an extraction of full product range.
- For specific mechanical adaptations please contact MingfaTech.

MingfaTech reserves the right to change products or specifications without prior notice.

Note : option 1 and option 2 can not be combined

MOUNTING OPTION	Module type	Holder NO.	THREAD	THREAD DEPTH	THREAD HOLE DISTANCE
1	1981C-A; 1982C-A;	/	M3	6.5mm	32.2mm/ 2-@180°
2	1981C-A; 1982C-A;	Ideal Holde 50-2204CT BJB 47.313.2030.50	M3	6.5mm	35.0mm/ 2-@180°
3	1983C-A; 1984C-A;	/	M3	6.5mm	45.2mm/ 2-@180°



for

LED

eLED

eLED-ADU-9580 Adura Modular Passive Star LED Heat Sink Φ 95mm

The thermal data table

	 <i>eLED-9580</i>
Model No.	eLED-ADU-9580
Size	Φ95xH80mm
Material	AL6063-T5
Finish	Black Anodized
Weight(gr)	564
Thermal Wattage	49.2W
HeatsinkΘs-a²	170178
Heat Sink T_{Rise Above Ambient}	1.1

Dissipated Power Pd(W)	Pd = Pe x (1- η L)	
	Heat sink to ambient thermal resistance Rhs-amb (°C/W)	Heat sink to ambient temperature rise Ths-amb (°C)
	eLED-ADU-9580	
10	1.6	16
20	1.3	26
30	1.2	35
40	1.1	44
50	1.0	52

