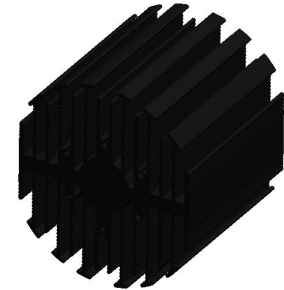


**Features VS Benefits**

- \* The eLED-BRI-9580 Bridgelux Modular Passive LED Coolers are specifically designed for luminaires using the Bridgelux LED engines.
- \* Mechanical compatibility with direct mounting of the LED engines to the LED cooler and thermal performance matching the lumen packages.
- \* For spotlight and downlight designs from 2100 to 5500 lumen.
- \* Thermal resistance range Rth 1.1°C/W.
- \* Modular design with mounting holes foreseen for direct mounting of bridgelux Vero 13, Vero 18, Vero 29 and RS Array Series COB engines.
- \* Diameter 95mm - standard height 80mm Other heights on request.
- \* Extruded from highly conductive aluminum.



**Bridgelux LED engine and radiator assembly directly Mounting Options**

- \* Below you find an overview of Bridgelux COB's and LED modules which standard fit on the Cool-LED Simpo coolers.
- \* In this way mechanical after work and related costs can be avoided, and lighting designers can standardize their designs on a limited number of LED coolers.



**Bridgelux LED Modules directly Mounting Options**

**Bridgelux ES Rectangle Array Series LED engines**

- |                     |                     |
|---------------------|---------------------|
| BXRA-27E0800-x-xx ; | BXRA-35E0800-x-xx ; |
| BXRA-27E1200-x-xx ; | BXRA-35E1200-x-xx ; |
| BXRA-27E2000-x-xx ; | BXRA-35E2000-x-xx ; |
| BXRA-27G0800-x-xx ; | BXRA-40E0950-x-xx ; |
| BXRA-27G1200-x-xx ; | BXRA-40E1350-x-xx ; |
| BXRA-27G2000-x-xx ; | BXRA-40E2200-x-xx ; |
| BXRA-30E0800-x-xx ; | BXRA-50C1100-x-xx ; |
| BXRA-30E1200-x-xx ; | BXRA-50C1600-x-xx ; |
| BXRA-30E2000-x-xx ; | BXRA-50C2600-x-xx ; |
| BXRA-30G0800-x-xx ; | BXRA-56C1100-x-xx ; |
| BXRA-30G1200-x-xx ; | BXRA-56C1600-x-xx ; |
| BXRA-30G2000-x-xx ; | BXRA-56C2600-x-xx ; |

With the Zhaga book 3 holders, Gree indicator marks.

(B.JB Holder:47.319.2040.50)

Direct mounting with machine screw M3x8mm;

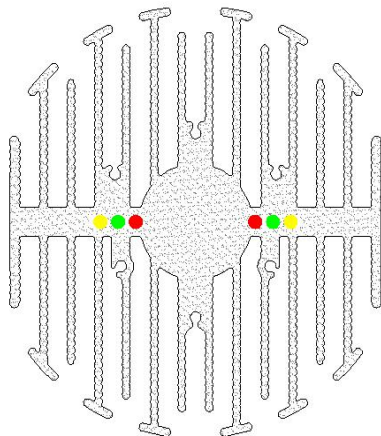
Red indicator marks.

**Bridgelux Vero 18 Array Series LED engines**

- |                     |                     |
|---------------------|---------------------|
| BXRC-27E4000-F-xx ; | BXRC-30H4000-F-xx ; |
| BXRC-27G4000-F-xx ; | BXRC-35E4000-F-xx ; |
| BXRC-27H4000-F-xx ; | BXRC-40E4000-F-xx ; |
| BXRC-30E4000-F-xx ; | BXRC-50E4000-F-xx ; |
| BXRC-30G4000-F-xx ; |                     |

Direct mounting with machine screw M3x8mm;

Blue indicator marks.



eLED

eLED-BRI-9580 Bridgelux Modular Passive Star LED Heat Sink  $\Phi$ 95mm

Mounting Options and Drawings & Dimensions

Example: eLED-BRI-9580-B-3

Example: eLED-BRI-9580-**1**-**2**-**3**

- 1** Height (mm)
- 2** Anodising Color
  - B-Black
  - C-Clear
  - Z-Custom

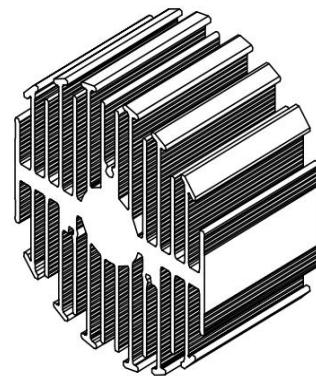
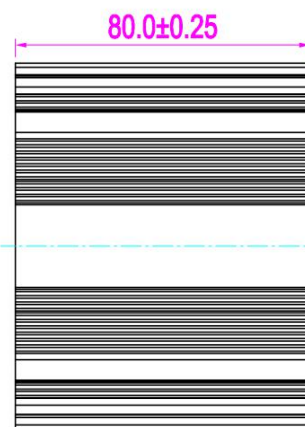
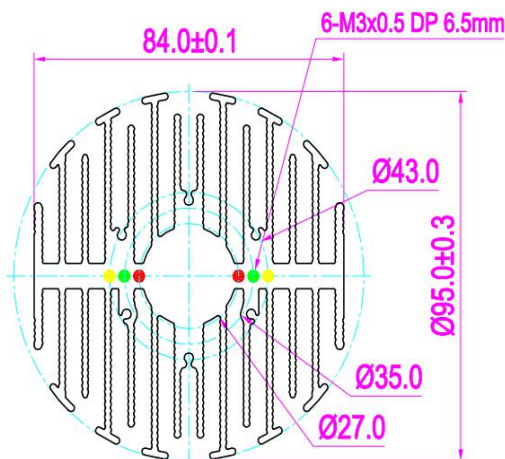
- 3** Mounting options;
  - On request;
  - Mounting holes, cable holes;
  - Screw thread, thermal interface pad.



Notes:

- Mentioned models are an extraction of full product range.
- For specific mechanical adaptations please contact MingfaTech.
- MingfaTech reserves the right to change products or specifications without prior notice.

MOUNTING OPTION	Module type	Holder NO.	THREAD	THREAD DEPTH	THREAD HOLE DISTANCE
1	ES-Rectangle	/	M3	6.5mm	27.0mm/ 2-@180°
2	ES-Rectangle	BJB 47.313.2040.50			35.0mm/ 2-@180°
3	Vero-29	/			43.0mm/ 4-@90°



eLED

eLED-BRI-9580 Bridgelux Modular Passive Star LED Heat Sink Φ95mm

The thermal data table

	<p>eLED-9580</p>
<b>Model No.</b>	eLED-BRI-9580
<b>Size</b>	Φ95xH80mm
<b>Material</b>	AL6063-T5
<b>Finish</b>	Black Anodized
<b>Weight(gr)</b>	564
<b>Thermal Wattage</b>	49.2W
<b>HeatsinkOs-a<sup>2</sup></b>	170178
<b>Heat Sink T Rise Above Ambient</b>	1.1

Dissipated Power Pd(W)	Pd = Pe x (1-ηL)	Heat sink to ambient thermal resistance Rhs-amb (°C/W)	Heat sink to ambient temperature rise Ths-amb (°C)
		eLED-BRI-9580	
10		1.6	16
20		1.3	26
30		1.2	35
40		1.1	44
50		1.0	52

