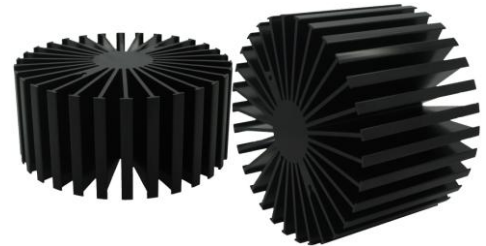


SimpoleD

SimpoleD-SAM-11780 for Samsung Modular Passive LED Cooler Φ 117mm

Features VS Benefits

- * The SimpoLED-SAM-11780 Samsung Modular Passive LED Coolers are specifically designed for luminaires using the Samsung LED engines.
- * Mechanical compatibility with direct mounting of the LED engines to the LED cooler and thermal performance matching the lumen packages.
- * For spotlight and downlight designs from 1700 to 7000 lumen.
- * Thermal resistance range Rth 0.82°C/W.
- * Modular design with mounting holes foreseen for direct mounting of Samsung COB LED engines.
- * Diameter 117mm - standard height 80mm Other heights on request.
- * Extruded from highly conductive aluminum.



Samsung LED engine and radiator assembly directly Mounting Options

- * Below you find an overview of Samsung COB's and LED modules which standard fit on the SimpoLED coolers.
- * In this way mechanical after work and related costs can be avoided, and lighting designers can standardize their designs on a limited number of LED coolers.



Samsung LED Modules Mounting indicator marks overview

For the LC026 B LED engines.

- SPHWW1HDNC27YHW32F;
- SPHWW1HDNC27YHV32F;
- SPHWW1HDNC27YHU32F;
- SPHWW1HDNC27YHT32F;
- SPHWW1HDNC25YHW32F;
- SPHWW1HDNC25YHV32F;
- SPHWW1HDNC25YHU32F;
- SPHWW1HDNC25YHT32F;
- SPHCW1HDNC25YHRT3F;

For the LC033 B LED engines.

- SPHWW1HDND25YHW33P;
- SPHWW1HDND25YHV33P;
- SPHWW1HDND25YHU33P;
- SPHWW1HDND25YHT33P;
- SPHCW1HDND25YHRT3P;

For the LC040 B LED engines.

- SPHWW1HDNE25YHW34J;
- SPHWW1HDNE25YHV34J;
- SPHWW1HDNE25YHU34J;
- SPHWW1HDNE25YHT34J;
- SPHCW1HDNE25YHRT4J;

NO'1:With Zhaga Book3 Holders:

TE Connectivity:Z50 2213258-2;

Green indicator marks

Mounting with machine screws M3x6mm;

NO'2:Without holder:

Direct mounting with machine screws M3x6mm;

Red indicator marks.

SimpoLED

SimpoLED-SAM-11780 for Samsung Modular Passive LED Cooler Φ 117mm

Mounting Options and Drawings & Dimensions

Example: SimpoLED-SAM-11780-B-3

Example: SimpoLED-SAM-117 1 - 2 - 3

1 Height (mm)

2 Anodising Color

B-Black

C-Clear

Z-Custom

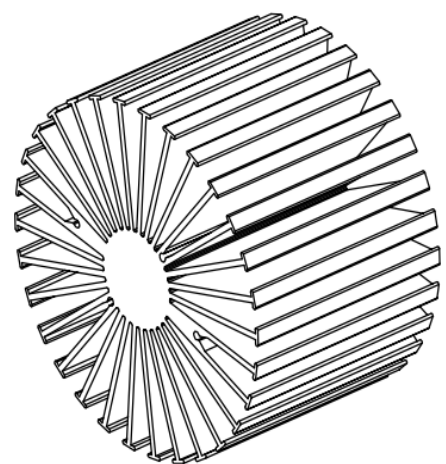
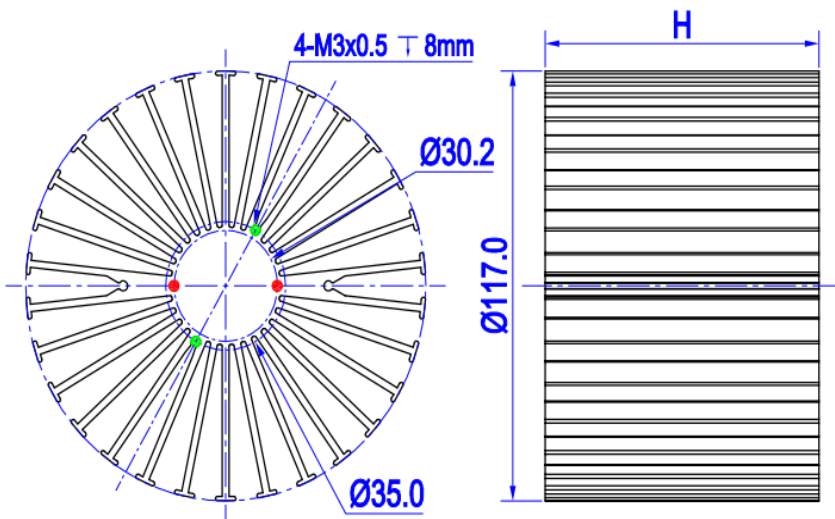
3 Mounting Options - see graphics for details Combinations available

Ex.order code - 12

means option 1 and 2 combined



MOUNTING OPTION	Module type	Holder NO.	THREAD	THREAD DEPTH	THREAD HOLE DISTANCE
1	LC026B	/	M3	6mm	30.2mm/ @2-180°
2	LC033B LC040B	Type 2-2154857-3	M3	6mm	35.0mm/ @2-180°



Notes:

- Mentioned models are an extraction of full product range.
- For specific mechanical adaptations please contact MingfaTech.
- MingfaTech reserves the right to change products or specifications without prior notice.

SimpoleD

SimpoleD-SAM-11780 for Samsung Modular Passive LED Cooler Φ 117mm

The thermal data table

	 <i>SimpoleD-11780</i>
Model No.	SimpoleD-SAM-11780
Size	Φ117xH80mm
Material	AL6063-T5
Finish	Black Anodized
Weight(gr)	774.0
Thermal Wattage	60.7W
Heatsink Θs-a²	231490
Heat Sink T_{Rise Above Ambient}	0.82

Dissipated Power Pd(W)	Pd = Pe x (1- η L)	Heat sink to ambient thermal resistance Rhs-amb ($^{\circ}$ C/W)	Heat sink to ambient temperature rise Ths-amb ($^{\circ}$ C)
		SimpoleD-SAM-11780	SimpoleD-SAM-11780
15.0		1.01	15.2
30.0		0.88	26.4
45.0		0.85	38.3
60.0		0.82	49.2
75.0		0.75	56.3
90.0		0.68	61.2

