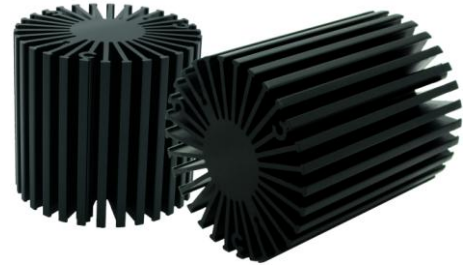


SimpoleD

SimpoleD-OSR-5870 for OSRAM Modular Passive LED Cooler Φ 58mm

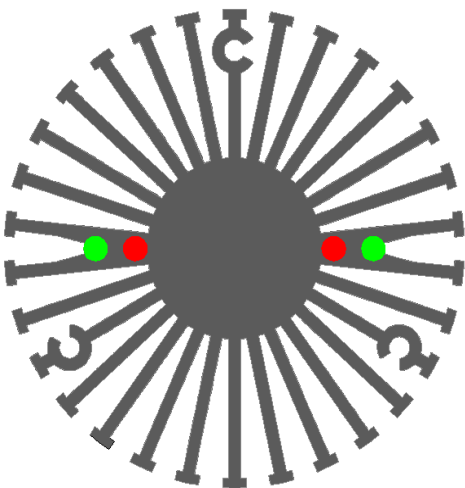
Features VS Benefits

- * The SimpoleD-OSR-5870 OSRAM Modular Passive LED Coolers are specifically designed for luminaires using the OSRAM LED engines.
- * Mechanical compatibility with direct mounting of the LED engines to the LED cooler and thermal performance matching the lumen packages.
- * For spotlight and downlight designs from 400 to 1600 lumen.
- * Thermal resistance range R_{th} 3.7°C/W.
- * Modular design with mounting holes foreseen for direct mounting of OSRAM PrevaLED Core AC , SOLERIQ P6 and SOLERIQ S13 LED engines.
- * Diameter 58mm - standard height 70mm Other heights on request.
- * Extruded from highly conductive aluminum.



Zhaga LED engine and radiator assembly is a unified future international standardization

- * Below you find an overview of OSRAM engines COB's and LED modules which standard fit on the SimpoleD coolers.
- * In this way mechanical after work and related costs can be avoided, and lighting designers can standardize their designs on a limited number of LED coolers.



OSRAM LED engines Mounting Options

Osram PrevaLED Core AC LED modules.

PL-CORE AC -800-827;
 PL-CORE AC -800-830;
 PL-CORE AC -800-840;
 LEP -800-827-C-AC;

Osram PrevaLED Core Z3 LED modules.

PL-CORE -1100-830-Z3;
 PL-CORE -1100-840-Z3;

Zhaga Book3

Green indicator marks:
 Direct mounting with machine screws M3x6mm;

Osram SOLERIQ P6 modules.

GW MAEGB1.EM-QPQS-27S3;	GW MAEGB1.CM-PTQQ-27S3;
GW MAEGB1.EM-QQQT-30S3;	GW MAEGB1.CM-PUQR-30S3;
GW MAEGB1.EM-QQQT-35S3;	GW MAEGB1.CM-PUQR-35S3;
GW MAEGB1.EM-QRQU-40S3;	GW MAEGB1.CM-QPQS-40S3;
GW MAEGB1.EM-QRQU-40S3;	

Zhaga Book11 Red indicator marks:

BJB holder:47.319.6190.50
 AAG.STUCCHI holder:8500-G2
 Direct mounting with machine screws M3x6mm;

Osram SOLERIQ S13 modules.

GW KAGHB1.EM-RRRU-27H3;	GW KAGHB1.EM-RTSP-57H3;
GW KAGHB1.EM-RSRU-30H3;	GW KAGHB1.EM-RTSP-65H3;
GW KAGHB1.EM-RSRU-35H3;	GW KAGHB1.CM-RQRT-27H3;
GW KAGHB1.EM-RTSP-40H3;	GW KAGHB1.CM-RRRT-30H3;
GW KAGHB1.EM-RTSP-50H3;	GW KAGHB1.CM-RSRU-40H3;

Zhaga Book11 Red indicator marks:

BJB holder:47.319.6111.50
 Direct mounting with machine screws M3x6mm;



SimpoleD

SimpoleD-OSR-5870 for OSRAM Modular Passive LED Cooler Φ 58mm

Mounting Options and Drawings & Dimensions

Example: SimpoleD-OSR-5870-B-3

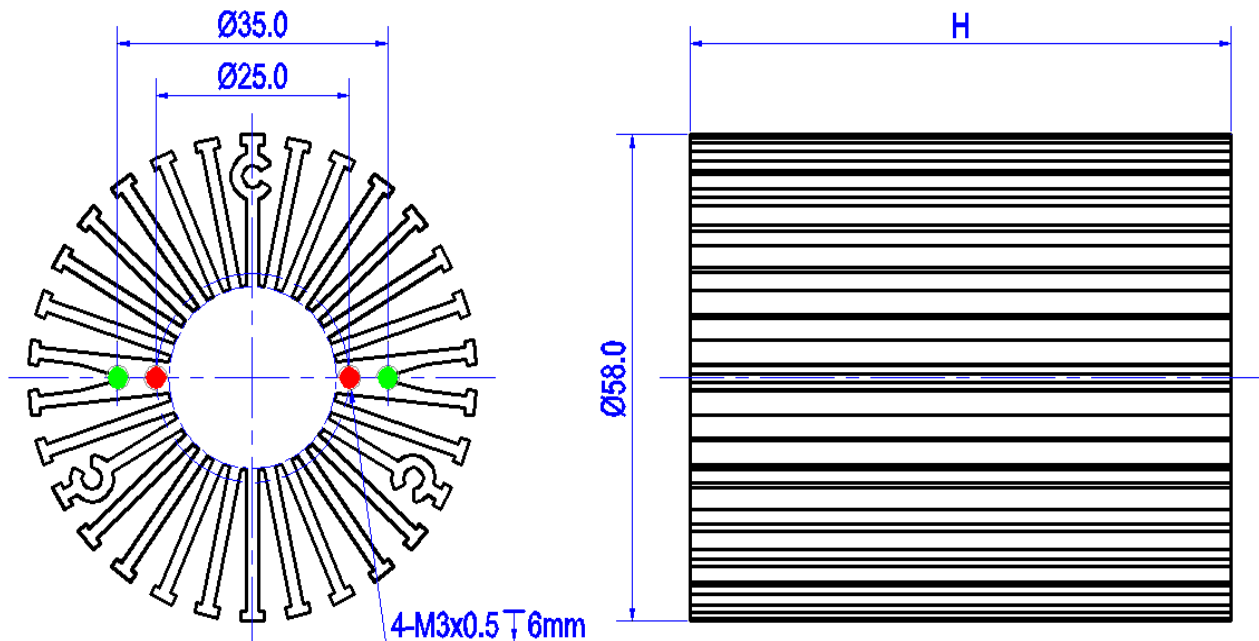
Example: SimpoleD-OSR-58 **1** - **2** - **3**

- 1** Height (mm)
- 2** Anodising Color
B-Black
C-Clear
Z-Custom
- 3** Mounting Options - see graphics for details Combinations available
Ex.order code - 12
means option 1 and 2 combined

Notes:
 - Mentioned models are an extraction of full product range.
 - For specific mechanical adaptations please contact MingfaTech.
 - MingfaTech reserves the right to change products or specifications without prior notice.



MOUNTING OPTION	Module type	Holder NO.	THREAD	THREAD DEPTH	THREAD HOLE DISTANCE
1	SOLERIQ P6	AAG.STUCCHI: 8500-G2	M3	6mm	25.0mm/ 2-@180°
		BJB: 47.319.6190.50			
	SOLERIQ S13	BJB:47.319.6111.50			
2	PrevalLED Core AC PrevalLED Core Z3	/	M3	6mm	35.0mm/ 2-@180°



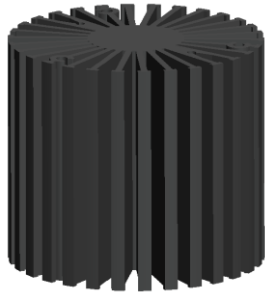
Tel:+86-769-39023131
 E-fax:+86-(020)28819702 ext:22122
 Email:sales@mingfatech.com
 Http://www.heatsinkled.com
 Http://www.mingfatech.com



SimpoleD

SimpoleD-OSR-5870 for OSRAM Modular Passive LED Cooler Φ 58mm

The thermal data table

	 <i>SimpoleD-5870</i>
Model No.	SimpoleD-OSR-5870
Size	Φ 58xH70mm
Material	AL6063-T5
Finish	Black Anodized
Weight(gr)	244.0
Thermal Wattage	15.5W
HeatsinkOs-a²	90020
Heat Sink T_{Rise Above Ambient}	2.9

Dissipated Power Pd(W)	Pd = Pe x (1- η L)	Heat sink to ambient thermal resistance Rhs-amb (°C/W)	Heat sink to ambient temperature rise T _{hs-amb} (°C)
		SimpoleD-OSR-5870	SimpoleD-OSR-5870
4.0		4.00	16.0
8.0		3.50	28.0
12.0		3.12	37.5
16.0		2.90	46.5
20.0		2.76	55.3

