



for

LED

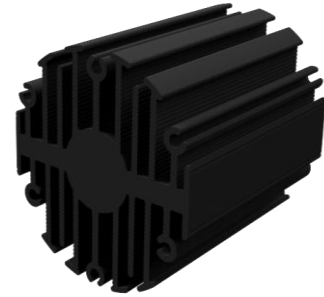


eLED

eLED-PRO-4650 Prolight Modular Passive Star LED Heat Sink Φ 46mm

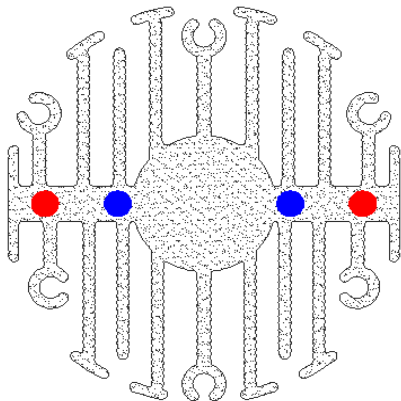
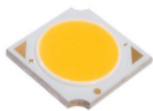
Features VS Benefits

- * The eLED-PRO-4650 Prolight Modular Passive Star LED Heat Sinks are specifically designed for luminaires using the Prolight LED engines.
- * Mechanical compatibility with direct mounting of the LED engines to the LED cooler and thermal performance matching the lumen packages.
- * For spotlight and downlight designs from 450 to 1200 lumen.
- * Thermal resistance range Rth 5.0°C/W.
- * Modular design with mounting holes foreseen for direct mounting of Prolight COB series LED engines.
- * Diameter 46.5mm - standard height 50mm Other heights on request.
- * Extruded from highly conductive aluminum.



Zhaga LED engine and radiator assembly is a unified future international standardization

- * Below you find an overview of Prolight COB's and LED modules which standard fit on the eLED Star LED Heat Sinks.
- * In this way mechanical after work and related costs can be avoided, and lighting designers can standardize their designs on a limited number of Star LED Heat Sinks.



Prolight LED engines Mounting Options

COB CI Series Modules names:

- PACB-5xxx-xxxx ;
- PACB-7xxx-xxxx ;
- PACB-9xxx-xxxx ;

With Zhaga Book 11 for pink indicator marks:
 BJB Holder:47.319.6060.50;
 Direct mounting with machine screws M3x8mm;
 Without LED holders for blue indicator marks.
 Direct mounting with machine screws M3x6mm;

COB BI Series Modules names:

- PABA-15xxx-xxxx ;
- PABA-26xxx-xxxx ;
- PABA-35xxx-xxxx ;

With Zhaga Book 3 for red indicator marks:
 BJB Holder:47.319.2040.50;
 Direct mounting with machine screws M3x8mm;

COB BS Series Modules names:

- PABS-6xxx-xxxx ;
- PABS-9xxx-xxxx ;

For the blue indicator marks.
 Direct mounting with machine screws M3x6mm;



for

LED



eLED

eLED-PRO-4650 Prolight Modular Passive Star LED Heat Sink $\Phi 46\text{mm}$

Mounting Options and Drawings & Dimensions

Example:eLED-PRO-4650-B-1

Example:eLED-PRO-46 **1** - **2** - **3**

1 Height (mm)

2 Anodising Color

B-Black

C-Clear

Z-Custom

3 Mounting Options - see graphics for details Combinations available

Ex.order code - 12

means option 1 and 2 combined



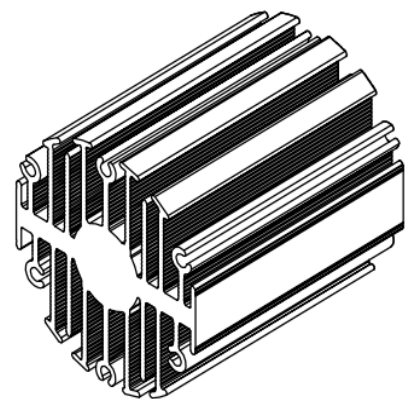
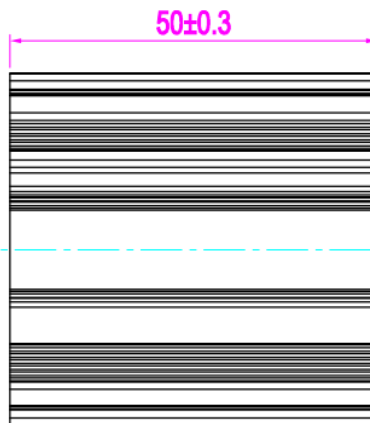
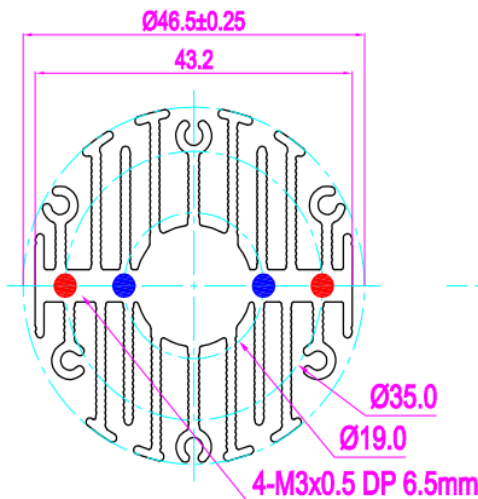
ProLight Opto
Technology Corporation



Notes:

- Mentioned models are an extraction of full product range.
- For specific mechanical adaptations please contact MingfaTech.
- MingfaTech reserves the right to change products or specifications without prior notice.

MOUNTING OPTION	Module type	Holder NO.	THREAD	THREAD DEPTH	THREAD HOLE DISTANCE
1	COB CI Series COB BS Series	/	M3	6.5mm	19.0mm/ 2-@180°
2		BJB 47.319.2040.50	M3	6.5mm	35.0mm/ 2-@180° Zhaga Book3



for

LED

eLED

eLED-PRO-4650 Prolight Modular Passive Star LED Heat Sink $\Phi 46\text{mm}$

The thermal data table

	
	<i>eLED-4650</i>
Model No.	eLED-PRO-4650
Size	$\Phi 46.5 \times H50\text{mm}$
Material	AL6063-T5
Finish	Black Anodized
Weight(gr)	101
Thermal Wattage	10.0W
Heatsink Θ_{s-a^2}	41280
Heat Sink T Rise Above Ambient	5.0

Dissipated Power Pd(W)	Pd = Pe x (1- η L)	Heat sink to ambient thermal resistance Rhs-amb ($^{\circ}\text{C}/\text{W}$)	Heat sink to ambient temperature rise Ths-amb ($^{\circ}\text{C}$)
		eLED-PRO-4650	
	3	5.67	17
	6	5.50	33
	9	5.22	47
	12	4.83	58
	15	4.33	65

