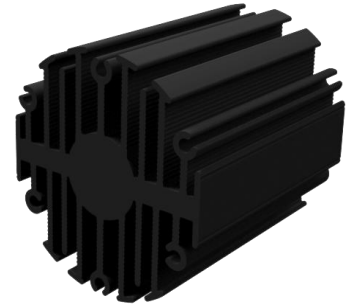


eLED

eLED-SHA-4650 Sharp Modular Passive Star LED Heat Sink Φ 46mm

Features VS Benefits

- * The eLED-SHA-4650 Sharp Modular Passive Star LED Heat Sinks are specifically designed for luminaires using the Sharp LED engines.
- * Mechanical compatibility with direct mounting of the LED engines to the LED cooler and thermal performance matching the lumen packages.
- * For spotlight and downlight designs from 450 to 1200 lumen.
- * Thermal resistance range R_{th} 5.0°C/W.
- * Modular design with mounting holes foreseen for direct mounting of SHARP Mini Zenigata LED engines.
- * Diameter 46.5mm - standard height 50mm Other heights on request.
- * Extruded from highly conductive aluminum.



Zhaga LED engine and radiator assembly is a unified future international standardization

- * Below you find an overview of Sharp engines COB's and LED modules which standard fit on the eLED Star LED Heat Sinks.
- * In this way mechanical after work and related costs can be avoided, and lighting designers can standardize their designs on a limited number of Star LED Heat Sinks.

SHARP



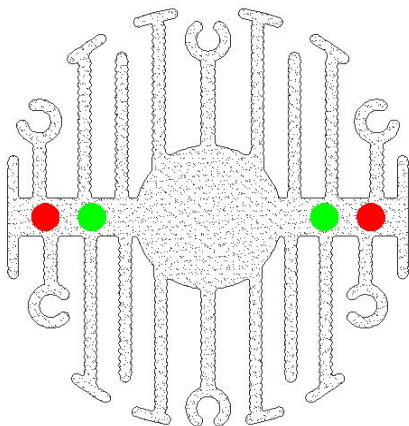
Sharp LED engines Mounting Options

Mini Mega Zenigata Modules names:

| | |
|--------------|--------------|
| GW6BLC27C0C; | GW6BMG27HED; |
| GW6BLC30C0C; | GW6BMG30HED; |
| GW6BLC40C0C; | GW6BMG40HED; |
| GW6BLC50C0C; | GW6BMG50HED; |
| GW6BLQ27C0C; | GW6BME27HED; |
| GW6BLQ30C0C; | GW6BME30HED; |
| GW6BLQ40C0C; | GW6BME40HED; |
| GW6BLQ50C0C; | GW6BME50HED; |
| GW6BMF27JEC; | GW6BGG27HED; |
| GW6BMF30JEC; | GW6BGG30HED; |
| GW6BMF40JEC; | GW6BGG40HED; |
| GW6BMF50JEC; | GW6BGG50HED; |

Zhaga Book11 Holders:

BJB holder:47.319.6180.50;
 A.A.G Stucchi holder:8300/G2
 Direct mounting with machine screws M3x8mm;
 Green indicator marks





eLED

eLED-SHA-4650 Sharp Modular Passive Star LED Heat Sink Φ 46mm

Mounting Options and Drawings & Dimensions

Example:eLED-SHA-4650-B-1

Example:eLED-SHA-4650-1-2-3

- 1 Height (mm)
- 2 Anodising Color
B-Black
C-Clear
Z-Custom
- 3 Mounting Options - see graphics for details Combinations available
Ex.order code - 12
means option 1 and 2 combined

Notes:

- Mentioned models are an extraction of full product range.
- For specific mechanical adaptations please contact MingfaTech.
- MingfaTech reserves the right to change products or specifications without prior notice.

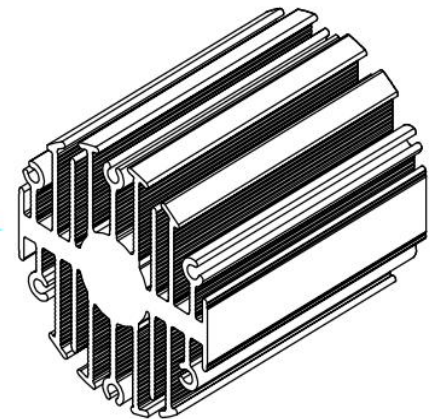
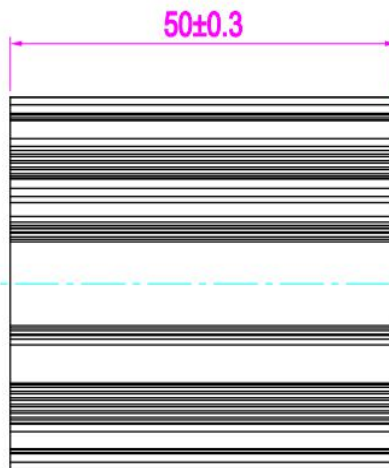
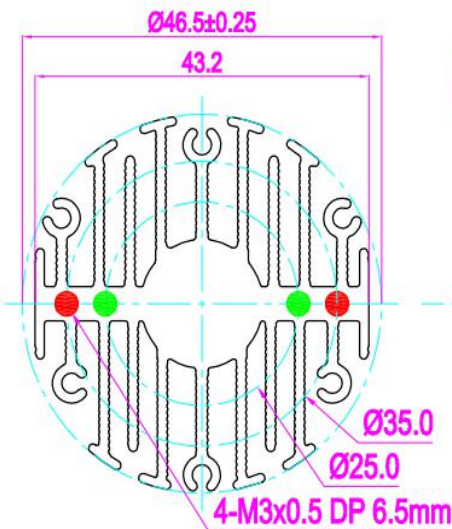
SHARP



A. A. G.
STUCCHI
ideas are made of light



| MOUNTING OPTION | Module type | Holder NO. | THREAD | THREAD DEPTH | THREAD HOLE DISTANCE |
|-----------------|---------------|----------------------------|--------|--------------|----------------------|
| 1 | Mini ZENIGATA | BJB (47.319.6180.50) | M3 | 6.5mm | 25.0mm/ @180° |
| | | A.A.G Stucchi (8300/G2) | | | |
| 2 | Mega ZENIGATA | BJB (47.319.2011.50) | M3 | 6.5mm | 35.0mm/ @180° |
| | | Type (2213130-2) | | | |
| | | A.A.G Stucchi (8301/G2) | | | |



Tel:+86-769-39023131
E-fax:+86-(020)28819702 ext:22122
Email:sales@mingfatech.com
Http://www.heatsinkled.com
Http://www.mingfatech.com



for

LED

eLED

eLED-SHA-4650 Sharp Modular Passive Star LED Heat Sink Φ 46mm

The thermal data table

| | |
|---|--|
| |  |
| | <i>eLED-4650</i> |
| Model No. | eLED-SHA-4650 |
| Size | Φ46.5xH50mm |
| Material | AL6063-T5 |
| Finish | Black Anodized |
| Weight(gr) | 100.9 |
| Thermal Wattage | 10.0W |
| HeatsinkOs-a² | 41280 |
| Heat Sink T_{Rise} Above Ambient | 5.0 |

| Dissipated Power Pd(W) | Pd = Pe x (1-ηL) | Heat sink to ambient thermal resistance Rhs-amb (°C/W) | Heat sink toambienttemperature riseThs-amb (°C) |
|------------------------|---------------------|--|---|
| | | eLED-SHA-4650 | |
| | 3 | 5.67 | 17 |
| | 6 | 5.50 | 33 |
| | 9 | 5.22 | 47 |
| | 12 | 4.83 | 58 |
| | 15 | 4.33 | 65 |

