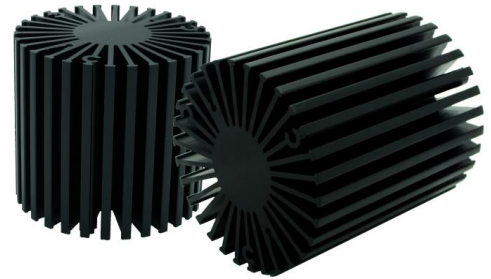


## SimpoLED

### SimpoLED-SHA-5870 for Sharp Modular Passive LED Cooler $\Phi$ 58mm

#### Features VS Benefits

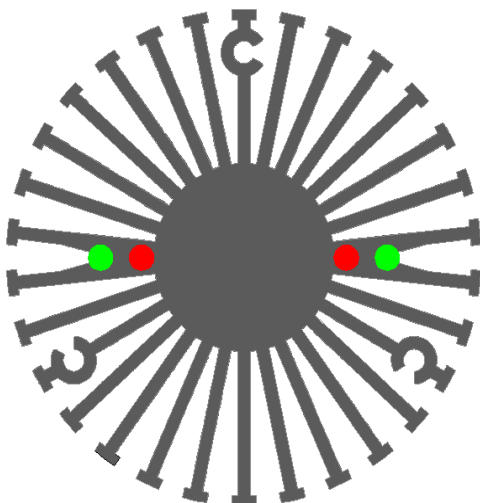
- \* The SimpoLED-SHA 5870 SHARP Modular Passive LED Coolers are specifically designed for luminaires using the SHARP LED engines.
- \* Mechanical compatibility with direct mounting of the LED engines to the LED cooler and thermal performance matching the lumen packages.
- \* For spotlight and downlight designs from 400 to 1900 lumen.
- \* Thermal resistance range Rth 2.9°C/W.
- \* Modular design with mounting holes foreseen for direct mounting of SHARP Mini Zenigata and Mega Zenigata LED engines.
- \* Diameter 58mm - standard height 70mm Other heights on request.
- \* Extruded from highly conductive aluminum.



#### Zhaga LED engine and radiator assembly is a unified future international standardization

- \* Below you find an overview of SHARP engines COB's and LED modules which standard fit on the SimpoLED coolers.
- \* In this way mechanical after work and related costs can be avoided, and lighting designers can standardize their designs on a limited number of LED coolers.

# SHARP



#### Sharp LED Modules Mounting indicator marks overview

##### Mini Mega Zenigata Modules names:

GW6BLC27C0C;	GW6BMR27HED;
GW6BLC30C0C;	GW6BMR30HED;
GW6BLC40C0C;	GW6BMR40HED;
GW6BLC50C0C;	GW6BMR50HED;
GW6BLQ27C0C;	GW6BMS27HED;
GW6BLQ30C0C;	GW6BMS30HED;
GW6BLQ40C0C;	GW6BMS40HED;
GW6BLQ50C0C;	GW6BMS50HED;
GW6BMF27JEC;	GW6BGG27HED;
GW6BMF30JEC;	GW6BGG30HED;
GW6BMF40JEC;	GW6BGG40HED;
GW6BMF50JEC;	GW6BGG50HED;
GW6BMG27HED;	GW6BGR27HED;
GW6BMG30HED;	GW6BGR30HED;
GW6BMG40HED;	GW6BGR40HED;
GW6BMG50HED;	GW6BGR50HED;
GW6BME27HED;	GW6BGS27HED;
GW6BME30HED;	GW6BGS30HED;
GW6BME40HED;	GW6BGS40HED;
GW6BME50HED;	GW6BGS50HED;

Zhaga Book11 Holders:  
BJB Spotlight connector:47.319.6180.50;  
Direct mounting with machine screws M3x8mm;  
Red indicator marks

##### Mega Zenigata LED modules names:

GW6DGA27XFC;	GW6DMA27XFC;
GW6DGA30XFC;	GW6DMA30XFC;
GW6DGA40XFC;	GW6DMA35XFC;
GW6DGA50XFC;	GW6DMA40XFC;
	GW6DMA50XFC;

Zhaga Book3 Holders:  
TE Connectivity:2213130-2;  
BJB holder:47.319.2011.50;  
Mounting with machine screws M3x8mm;  
Green indicator marks



for

LED



*SimpoleD*

SimpoleD-SHA-5870 for Sharp Modular Passive LED Cooler  $\Phi$ 58mm

**Mounting Options and Drawings & Dimensions**

Example: SimpoleD-SHA-5870-B-3

Example: SimpoleD-SHA-58 **1** - **2** - **3**

**1** Height (mm)

**2** Anodising Color

B-Black

C-Clear

Z-Custom

**3** Mounting Options - see graphics for details Combinations available

Ex.order code - 12

means option 1 and 2 combined

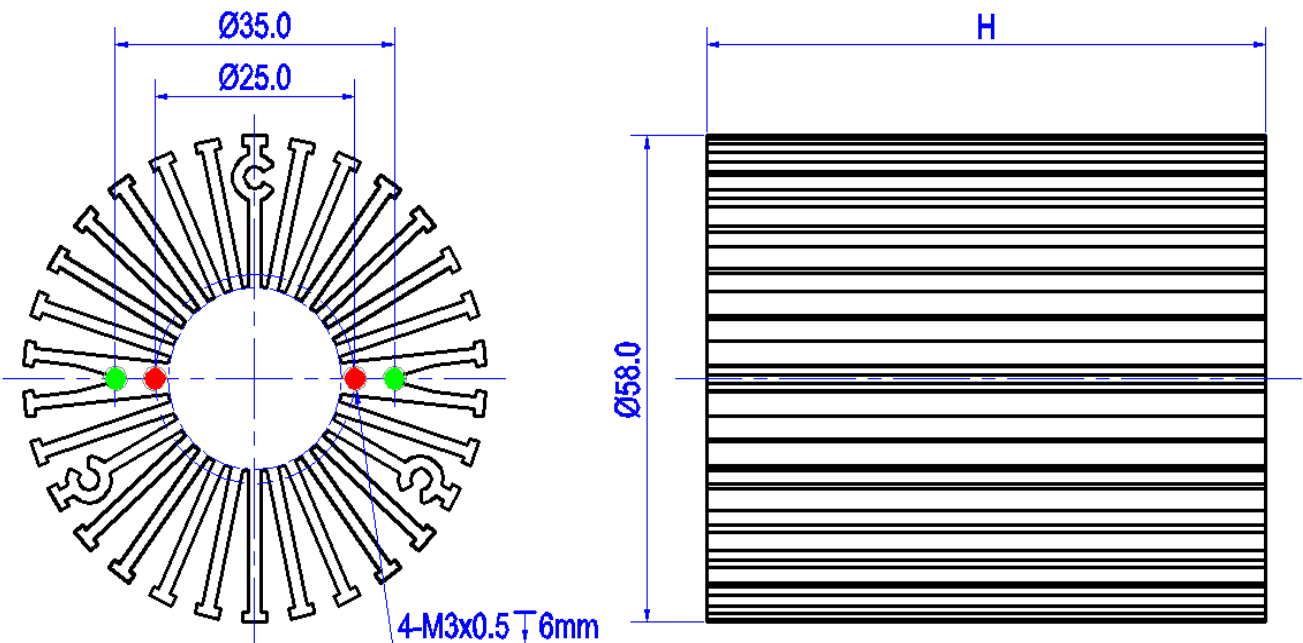
Notes:

- Mentioned models are an extraction of full product range.
- For specific mechanical adaptations please contact MingfaTech.
- MingfaTech reserves the right to change products or specifications without prior notice.

**SHARP**



MOUNTING OPTION	Module type	Holder NO.	THREAD	THREAD DEPTH	THREAD HOLE DISTANCE
1	Mini ZENIGATA	BJB:(47.319.6180.50)	M3	6mm	25.0mm/ @180° Zhaga Book11
2	Mega ZENIGATA	BJB:(47.319.2011.50)	M3	6mm	35.0mm/ @180° Zhaga Book3
		TE Type :(2213130-2)			



Tel:+86-769-39023131  
 E-fax:+86-(020)28819702 ext:22122  
 Email:sales@mingfatech.com  
 Http://www.heatsinkled.com  
 Http://www.mingfatech.com



*SimpoleD*

SimpoleD-SHA-5870 for Sharp Modular Passive LED Cooler  $\Phi$ 58mm

The thermal data table

	 <i>SimpoleD 5870</i>
<b>Model No.</b>	<b>SimpoleD-SHA-5870</b>
<b>Size</b>	<b><math>\Phi</math>58xH70mm</b>
<b>Material</b>	<b>AL6063-T5</b>
<b>Finish</b>	<b>Black Anodized</b>
<b>Weight(gr)</b>	<b>244.0</b>
<b>Thermal Wattage</b>	<b>15.5W</b>
<b>Heatsink<math>\Theta</math>s-a<sup>2</sup></b>	<b>90020</b>
<b>Heat Sink T<sub>Rise Above Ambient</sub></b>	<b>2.9</b>

	Pd = Pe x (1- $\eta$ L)	Heat sink to ambient thermal resistance Rhs-amb (°C/W)	Heat sink to ambient temperature rise Ths-amb (°C)
		SimpoleD-SHA-5870	SimpoleD-SHA-5870
Dissipated Power Pd(W)	4.0	4.00	16.0
	8.0	3.50	28.0
	12.0	3.12	37.5
	16.0	2.90	46.5
	20.0	2.76	55.3

