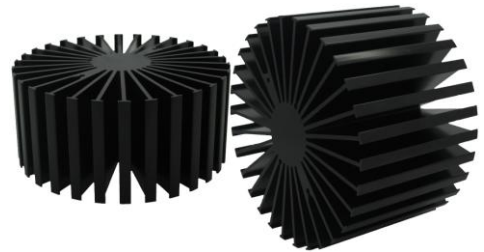


SimpoleD

SimpoleD-BRI-11750 for Bridgelux Modular Passive LED Cooler Φ 117mm

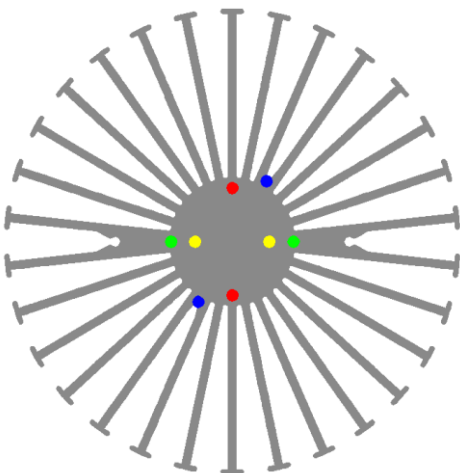
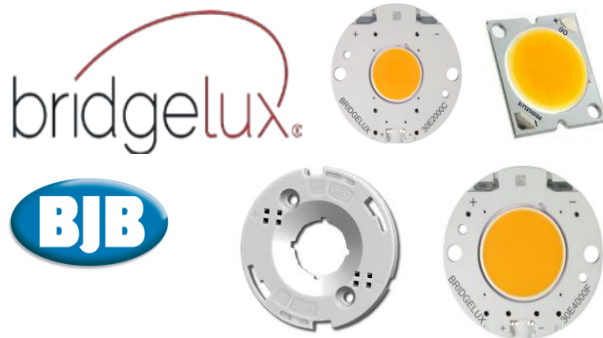
Features VS Benefits

- * The SimpoleD-11750 Bridgelux Modular Passive LED Coolers are specifically designed for luminaires using the Bridgelux LED engines.
- * Mechanical compatibility with direct mounting of the LED engines to the LED cooler and thermal performance matching the lumen packages.
- * For spotlight and downlight designs from 1800 to 6000 lumen.
- * Thermal resistance range R_{th} 1.0°C/W.
- * Modular design with mounting holes foreseen for direct mounting of Bridgelux ES Vero 13 Array Series and Vero 18 Array Series COB engines.
- * Diameter 117mm - standard height 50mm Other heights on request.
- * Extruded from highly conductive aluminum.



Bridgelux LED engine and radiator assembly directly Mounting Options

- * Below you find an overview of Bridgelux COB's and LED modules which standard fit on the SimpoleD coolers.
- * In this way mechanical after work and related costs can be avoided, and lighting designers can standardize their designs on a limited number of LED coolers.



Bridgelux LED Modules directly Mounting Options

ES Rectangle Array Series LED engines:

BXRA-27Exxxx-B-03; BXRA-30Gxxxx-B-03;
 BXRA-27Gxxxx-B-03; BXRA-35Exxxx-B-03;
 BXRA-30Exxxx-B-03; BXRA-40Exxxx-B-03;

With the Zhaga book 3 holders, Blue indicator marks.

(BJB Holder: 47.319.2040.50)

Direct mounting with Self tapping screw M3x8mm;
 Red indicator marks.

Vero 13 Array Series LED engines:

Vero 13 BXRC-27x2000
 Vero 13 BXRC-30x2000
 Vero 13 BXRC-35E2000
 Vero 13 BXRC-40x2000
 Vero 13 BXRC-50x2000

Direct mounting with machine screws M3 x 8mm
 Gree indicator marks

Vero 18 Array Series LED engines:

Vero 18 BXRC-27x4000
 Vero 18 BXRC-30x4000
 Vero 18 BXRC-35E4000
 Vero 18 BXRC-40E4000
 Vero 18 BXRC-50C4000

Direct mounting with machine screws M3 x 8mm
 Gree indicator marks



for

LED



SimpoleD

SimpoleD-BRI-11750 for Bridgelux Modular Passive LED Cooler Φ 117mm

Mounting Options and Drawings & Dimensions

Example: SimpoleD-BRI-11750-B-3

Example: SimpoleD-BRI-117 **1** - **2** - **3**

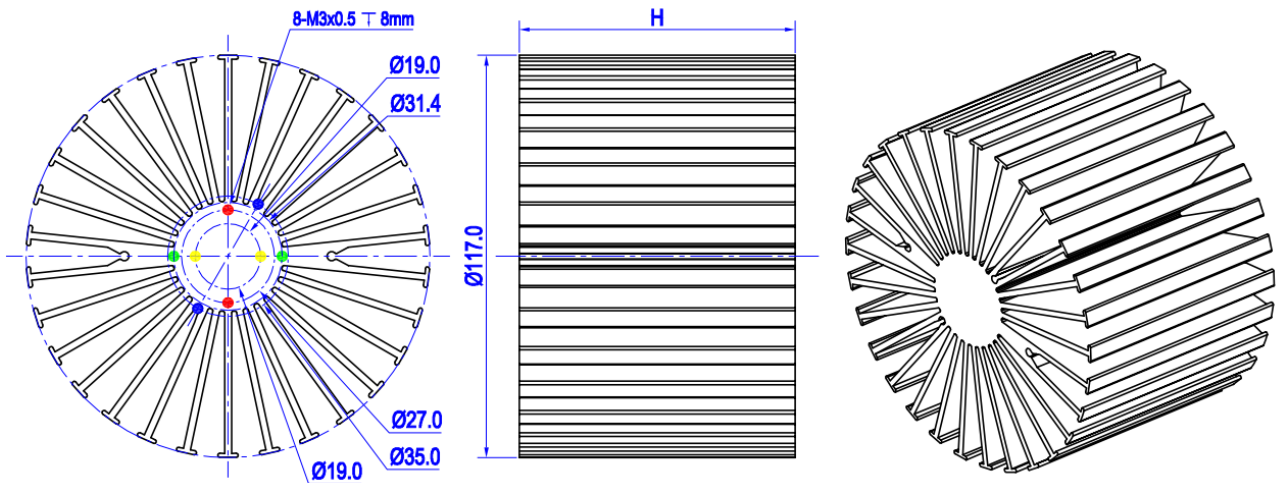
- 1** Height (mm)
- 2** Anodising Color
 - B-Black
 - C-Clear
 - Z-Custom
- 3** Mounting Options - see graphics for details Combinations available
 - Ex.order code - 12
 - means option 1 and 2 combined



Notes:

- Mentioned models are an extraction of full product range.
- For specific mechanical adaptations please contact MingfaTech.
- MingfaTech reserves the right to change products or specifications without prior notice.

MOUNTING OPTION	Module type	Holder NO.	THREAD	THREAD DEPTH	THREAD HOLE DISTANCE
1	ES-Star Array Vero-10	/	M3	8mm	19.0mm/ 2-@180°
	ES-Star Array	BJB 47.313.1001.80			
2	ES-Rectangle	/	M3	8mm	27.0mm/ 2-@180°
3	Vero-10 Vero-18	/	M3	8mm	31.4mm/ 2-@180°
4	ES-Rectangle	BJB 47.313.2040.50	M3	8mm	35.0mm/ 2-@180°



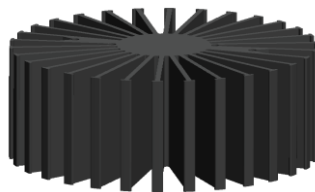
Tel: +86-769-39023131
 E-fax: +86-(020)28819702 ext:22122
 Email:sales@mingfatech.com
 Http://www.heatsinkled.com
 Http://www.mingfatech.com



SimpoleD

SimpoleD-BRI-11750 for Bridgelux Modular Passive LED Cooler Φ 117mm

The thermal data table

	 <i>SimpoleD-11750</i>
Model No.	SimpoleD-BRI-11750
Size	Φ117xH50mm
Material	AL 6063-T5
Finish	Black Anodized
Weight(g)	484.0
Thermal Wattage	49.2W
HeatsinkΘs-a²	147370
Heat Sink T Rise Above Ambient	1.0

Dissipated Power Pd(W)	Pd = Pe x (1- η L)	Heat sink to ambient thermal resistance Rhs-amb ($^{\circ}$ C/W)	Heat sink to ambient temperature rise Ths-amb ($^{\circ}$ C)
		SimpoleD-BRI-11750	SimpoleD-BRI-11750
8		1.35	10.8
16		1.30	20.8
24		1.25	30.0
32		1.15	36.8
40		1.10	44.0
48		0.97	46.6
56		0.88	49.3

