



for

LED



SimpOLED

SimpOLED-CIT-11750 for Citizen Modular Passive LED Cooler Φ 117mm

Features VS Benefits

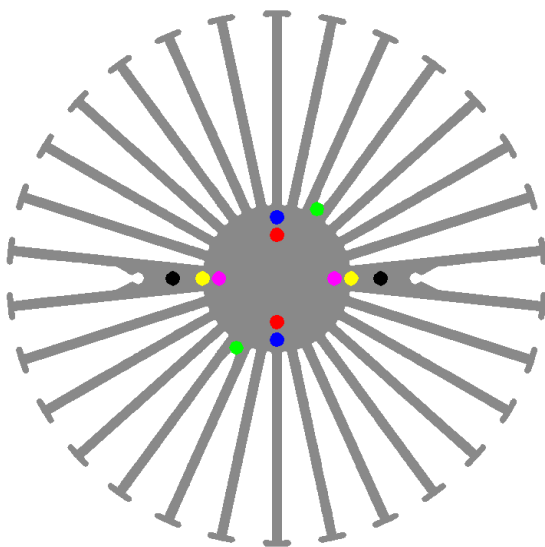
- * The SimpOLED-11750 Citizen Modular Passive LED Coolers are specifically designed for luminaires using the Citizen LED engines.
- * Mechanical compatibility with direct mounting of the LED engines to the LED cooler and thermal performance matching the lumen packages.
- * For spotlight and downlight designs from 1800 to 6200 lumen.
- * Thermal resistance range Rth 1.0°C/W.
- * Modular design with mounting holes foreseen for direct mounting of Citizen CLL030, CLL032, CLU034 and CLL042 COB engines.
- * Diameter 117mm - standard height 50mm Other heights on request.
- * Extruded from highly conductive aluminum.



Citizen LED engine and radiator assembly directly Mounting Options

- * Below you find an overview of Citizen COB's which standard fit on the SimpOLED coolers.
- * In this way mechanical after work and related costs can be avoided, and lighting designers can standardize their designs on a limited number of LED coolers.

CITIZEN
Micro HumanTech



Citizen LED Modules Mounting indicator marks overview

Citizen CLL020-022 LED Modules:

| | |
|-----------------------|-----------------------|
| CLL020-1202A5-50xxxx; | CLL020-1203A5-50xxxx; |
| CLL020-1202A5-40xxxx; | CLL020-1203A5-40xxxx; |
| CLL020-1202A5-35xxxx; | CLL020-1203A5-35xxxx; |
| CLL020-1202A5-30xxxx; | CLL020-1203A5-30xxxx; |
| CLL020-1202A5-27xxxx; | CLL020-1203A5-27xxxx; |

| | |
|-----------------------|-----------------------|
| CLL022-1202A5-50xxxx; | CLL022-1203A5-50xxxx; |
| CLL022-1202A5-40xxxx; | CLL022-1203A5-40xxxx; |
| CLL022-1202A5-35xxxx; | CLL022-1203A5-35xxxx; |
| CLL022-1202A5-30xxxx; | CLL022-1203A5-30xxxx; |
| CLL022-1202A5-27xxxx; | CLL022-1203A5-27xxxx; |

Citizen CLU024 LED Modules:

| | |
|-----------------------|-----------------------|
| CLU024-1201B8-50xxxx; | CLU024-1203B8-50xxxx; |
| CLU024-1201B8-40xxxx; | CLU024-1203B8-40xxxx; |
| CLU024-1201B8-35xxxx; | CLU024-1203B8-35xxxx; |
| CLU024-1201B8-30xxxx; | CLU024-1203B8-30xxxx; |
| CLU024-1201B8-27xxxx; | CLU024-1203B8-27xxxx; |

| | |
|-----------------------|-----------------------|
| CLU024-1202B8-50xxxx; | CLU024-1204B8-50xxxx; |
| CLU024-1202B8-40xxxx; | CLU024-1204B8-40xxxx; |
| CLU024-1202B8-35xxxx; | CLU024-1204B8-35xxxx; |
| CLU024-1202B8-30xxxx; | CLU024-1204B8-30xxxx; |
| CLU024-1202B8-27xxxx; | CLU024-1204B8-27xxxx; |

- Zhaga Book 11 LED holder
- BJB Spotlight connector 47.319.6060.50
- TE Connectivity 1pc LED holder 6-2154874-1
- TE Connectivity Scalable 2pc LED holder 2-2154857-1
- Mounting with 2 screws M3 x 8mm
- Pink indicator marks.
- Direct mounting with machine screws M3x6mm;
- Red indicator marks.





for

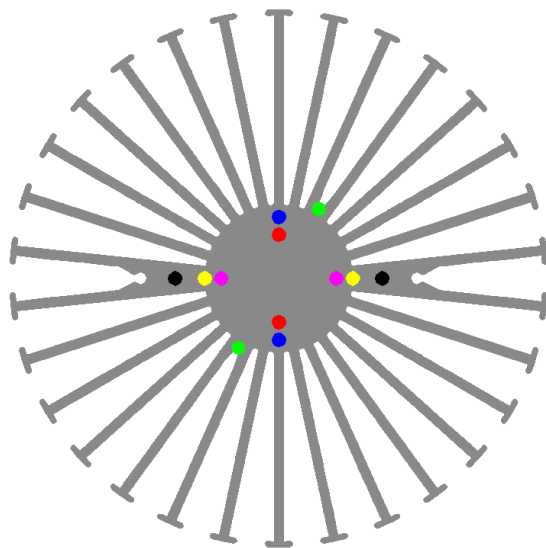
LED



SimpoleD

SimpoleD-CIT-11750 for Citizen Modular Passive LED Cooler Φ 117mm

CITIZEN
Micro HumanTech



Citizen LED Modules Mounting indicator marks overview

Citizen CLL030-CLL032 LED Modules:

- CLL030-1212A5-50xxxx ;
- CLL030-1212A5-40xxxx ;
- CLL030-1212A5-35xxxx ;
- CLL030-1212A5-30xxxx ;
- CLL030-1212A5-27xxxx ;

- CLL032-1212A5-50xxxx ;
- CLL032-1212A5-40xxxx ;
- CLL032-1212A5-35xxxx ;
- CLL032-1212A5-30xxxx ;
- CLL032-1212A5-27xxxx ;

- CLU034-1208B8-50xxxx ;
- CLU034-1208B8-40xxxx ;
- CLU034-1208B8-35xxxx ;
- CLU034-1208B8-30xxxx ;
- CLU034-1208B8-27xxxx ;

With Zhaga Book 3 LED holder
 BJB Spotlight connector 47.319.2020.50
 Mounting with 2 screws M3 x 10mm
 Green indicator marks
 Direct mounting with 2 screws M3 x 6mm
 Blue indicator marks

Citizen CLL040 Modules:

- CLL040-xxxxx-xxxxx ;
- CLL040-xxxxx-xxxxx ;
- CLL040-xxxxx-xxxxx ;
- CLL040-xxxxx-xxxxx ;
- CLL040-xxxxx-xxxxx ;
- CLL040-xxxxx-xxxxx ;

- CLL042-1218A5-50xxxx ;
- CLL042-1218A5-40xxxx ;
- CLL042-1218A5-35xxxx ;
- CLL042-1218A5-30xxxx ;
- CLL042-1218A5-27xxxx ;

With Zhaga Book 3 LED holder
 BJB Spotlight connector 47.319.2030.50
 Mounting with 2 screws M3 x 10mm
 Green indicator marks
 Direct mounting with 2 screws M3 x 6mm
 Yellow indicator marks

Citizen CLL050 CLL052 CLU054 Modules:

- CLL050-1825A1-50xxxx ;
- CLL052-1825B1-30xxxx ;
- CLL052-1825B1-40xxxx ;
- CLL052-1825B1-27xxxx ;
- CLL052-1825B1-35xxxx ;

Direct mounting with 2 screws M3 x 6mm
 Black indicator marks





for

LED



SimpoleD

SimpoleD-CIT-11750 for Citizen Modular Passive LED Cooler $\Phi 117\text{mm}$

Mounting Options and Drawings & Dimensions

Example: SimpoleD-CIT-11750-B-3

Example: SimpoleD-CIT-117 **1** - **2** - **3**

1 Height (mm)

2 Anodising Color

B-Black

C-Clear

Z-Custom

3 Mounting Options - see graphics for details Combinations available

Ex.order code - 12

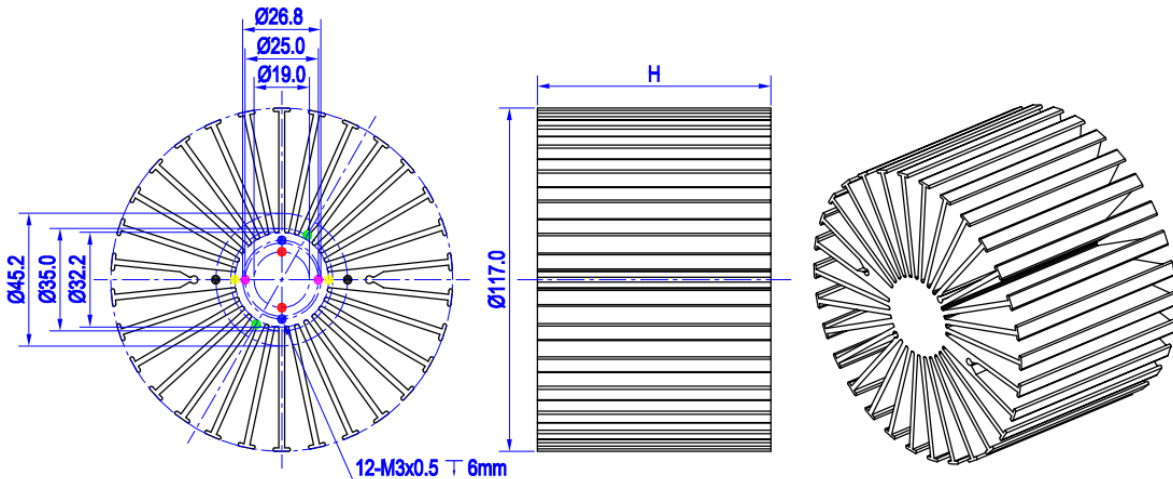
means option 1 and 2 combined

Notes:

- Mentioned models are an extraction of full product range.
- For specific mechanical adaptations please contact MingfaTech.
- MingfaTech reserves the right to change products or specifications without prior notice.



| MOUNTING OPTION | Module type | Holder NO. | THREAD | THREAD DEPTH | THREAD HOLE DISTANCE |
|-----------------|----------------------|------------------------------------|--------|--------------|-------------------------------|
| 1 | CLL020-022 CLU024 | / | M3 | 6mm | 19mm/ 2-@180° |
| 2 | CLL020-022 CLU024 | BJB:47.319.6060.50 Zhaga Book11 | M3 | 6mm | 25mm/ 2-@180° Zhaga Book11 |
| 3 | CLL030-032 CLU034 | / | M3 | 6mm | 26.8mm/ 2-@180° |
| 4 | CLL040-042 CLU044 | / | M3 | 6mm | 32.2mm/ 2-@180° |
| 5 | CLL030-032 CLU034 | BJB:47.319.2020.50 Zhaga Book3 | M3 | 6mm | 35mm/ 2-@180° Zhaga Book3 |
| | CLL040-042 CLU044 | BJB:47.319.2030.50 Zhaga Book3 | | | |
| 6 | CLL050-052 CLU054 | / | M3 | 6mm | 45.2mm/ 2-@180° |



Tel: +86-769-39023131
 E-fax: +86-(020)28819702 ext:22122
 Email:sales@mingfatech.com
 Http://www.heatsinkled.com
 Http://www.mingfatech.com





for


LED



SimpoleD

SimpoleD-CIT-11750 for Citizen Modular Passive LED Cooler Φ 117mm

The thermal data table

| | |
|---------------------------------------------------|-------------------------------------------------------------------------------------------------------------|
| |  <i>SimpoleD-11750</i> |
| Model No. | SimpoleD-CIT-11750 |
| Size | Φ117xH50mm |
| Material | AL6063-T5 |
| Finish | Black Anodized |
| Weight(g) | 484.0 |
| Thermal Wattage | 49.2W |
| HeatsinkΘs-a² | 147370 |
| Heat Sink T Rise Above Ambient | 1.0 |

| Dissipated Power Pd(W) | Pd = Pe x (1- η L) | Heat sink to ambient thermal resistance Rhs-amb ($^{\circ}$ C/W) | Heat sink to ambient temperature rise Ths-amb ($^{\circ}$ C) |
|------------------------|-------------------------|-------------------------------------------------------------------|---------------------------------------------------------------|
| | | SimpoleD-CIT-11750 | SimpoleD-CIT-11750 |
| 8 | | 1.35 | 10.8 |
| 16 | | 1.16 | 18.5 |
| 24 | | 1.05 | 25.3 |
| 32 | | 0.98 | 31.5 |
| 40 | | 0.94 | 37.5 |
| 48 | | 0.90 | 43.0 |
| 56 | | 0.88 | 49.0 |

