



for

LED



**EtraLED**

**EtraLED-OSR-7050 Osram Modular Passive Star LED Heat Sink  $\Phi$ 70mm**

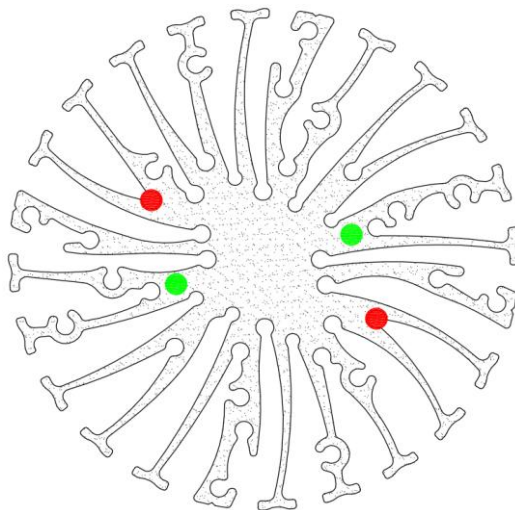
**Features VS Benefits**

- \* The EtraLED-OSR-7050 OSRAM Modular Passive LED Coolers are specifically designed for luminaires using the OSRAM LED engines.
- \* Mechanical compatibility with direct mounting of the LED engines to the LED cooler and thermal performance matching the lumen packages.
- \* For spotlight and downlight designs from 1000 to 2700 lumen.
- \* Thermal resistance range Rth 2.2°C/W.
- \* Modular design with mounting holes foreseen for direct mounting of OSRAM PrevaLED Core , SOLERIQ P and SOLERIQ S LED engines.
- \* Diameter 70mm - standard height 50mm Other heights on request.
- \* Extruded from highly conductive aluminum.



**Zhaga LED engine and radiator assembly is a unified future international standardization**

- \* Below you find an overview of OSRAM engines COB's and LED modules which standard fit on the EtraLED coolers.
- \* In this way mechanical after work and related costs can be avoided, and lighting designers can standardize their designs on a limited number of LED coolers.



**OSRAM LED engines Mounting Options**

**Osram PrevaLED Core AC LED modules.**

- |                       |                     |
|-----------------------|---------------------|
| PL-CORE AC -2000-827; | LEP -2000-827-C-AC; |
| PL-CORE AC -2000-830; | LEP -2000-830-C-AC; |
| PL-CORE AC -2000-840; | LEP -2000-840-C-AC; |

**Osram PrevaLED Core Z3 LED modules.**

- |                       |                       |
|-----------------------|-----------------------|
| PL-CORE -2000-830-Z3; | PL-CORE -3000-830-Z3; |
| PL-CORE -2000-840-Z3; | PL-CORE -3000-840-Z3; |
| PL-CORE -2000-930-Z3; |                       |

**Osram PrevaLED Core Z4 LED modules.**

- |                       |                       |
|-----------------------|-----------------------|
| PL-CORE-Z4 -2000-827; | PL-CORE-Z4 -3000-827; |
| PL-CORE-Z4 -2000-830; | PL-CORE-Z4 -3000-830; |
| PL-CORE-Z4 -2000-835; | PL-CORE-Z4 -3000-835; |
| PL-CORE-Z4 -2000-840; | PL-CORE-Z4 -3000-840; |
| PL-CORE-Z4 -2000-930; |                       |

**Osram SOLERIQ S19 LED modules.**

- |                         |                         |
|-------------------------|-------------------------|
| GW KAHJB1.EM-SSSU-27S3; | GW KAHJB1.EM-SQSS-27S3; |
| GW KAHJB1.EM-SSSU-30S3; | GW KAHJB1.EM-SQSS-30S3; |
| GW KAHJB1.EM-STTP-35S3; | GW KAHJB1.EM-SRST-35S3; |
| GW KAHJB1.EM-STTP-40S3; | GW KAHJB1.EM-SRST-40S3; |

**Zhaga Book3 Green indicator marks:**

BJB holder:47.319.2170.50 ;  
 AAG.STUCCHI holder:8503-G2  
 Direct mounting with machine screws M3x6mm;

**Osram SOLERIQ P9 modules.**

- |                         |                         |
|-------------------------|-------------------------|
| GW MAFJB1.EM-RTSQ-27S3; | GW MAFJB1.CM-RSSP-27S3; |
| GW MAFJB1.EM-RUSR-30S3; | GW MAFJB1.CM-RTSQ-30S3; |
| GW MAFJB1.EM-RUSS-35S3; | GW MAFJB1.CM-RTSR-35S3; |
| GW MAFJB1.EM-SPST-40S3; | GW MAFJB1.CM-RUSS-40S3; |
| GW MAFJB1.EM-SPST-50S3; |                         |

**Zhaga Book11 Red indicator marks:**

BJB holder:47.319.6200.50  
 AAG.STUCCHI holder:8501-G2  
 Direct mounting with machine screws M3x6mm;

Tel:+86-769-39023131  
 E-fax:+86-(020)28819702 ext:22122  
 Email:sales@mingfatech.com  
 Http://www.heatsinkled.com  
 Http://www.mingfatech.com





**EtraLED**

**EtraLED-OSR-7050 Osram Modular Passive Star LED Heat Sink  $\Phi$ 70mm**

**Mounting Options and Drawings & Dimensions**

Example: EtraLED-OSR-7050-B-3

Example: EtraLED-OSR-70 **1** - **2** - **3**

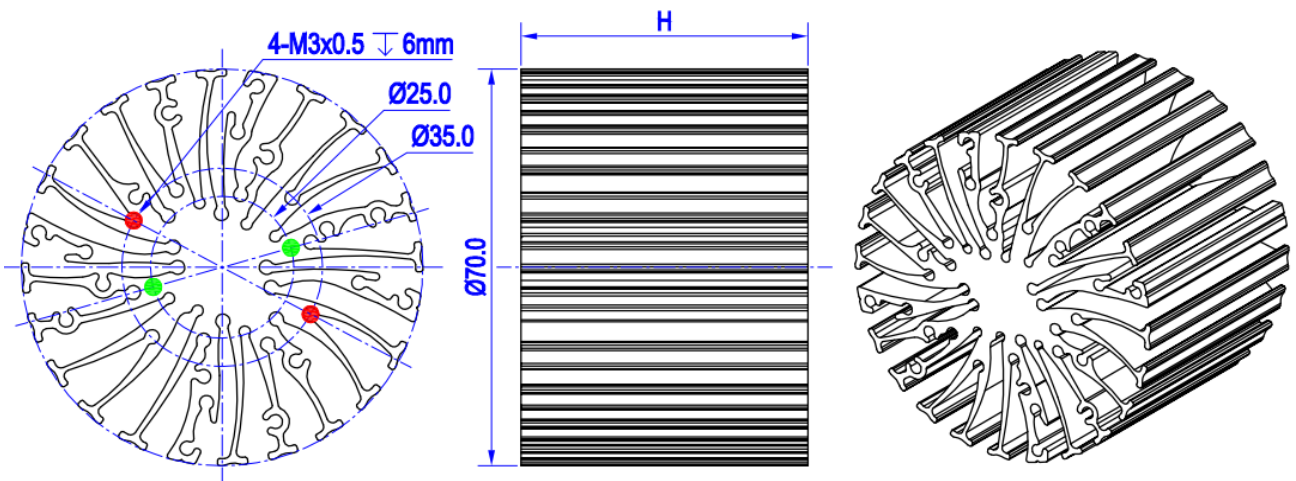
- 1** Height (mm)
- 2** Anodising Color
  - B-Black
  - C-Clear
  - Z-Custom
- 3** Mounting Options - see graphics for details Combinations available  
Ex.order code - 12  
means option 1 and 2 combined



**Notes:**

- Mentioned models are an extraction of full product range.
- For specific mechanical adaptations please contact MingfaTech.
- MingfaTech reserves the right to change products or specifications without prior notice.

MOUNTING OPTION	Module type	Holder NO.	THREAD	THREAD DEPTH	THREAD HOLE DISTANCE
2	SOLERIQ P9	AAG.STUCCHI:8501-G2	M3	6mm	25.0mm/ 2-@180°
		BJB:47.319.6200.50			
1	PrevaLED Core AC	/	M3	6mm	35.0mm/ 2-@180°
	PrevaLED Core Z3				
	PrevaLED Core Z4				
	SOLERIQ S19				
		AAG.STUCCHI:8503-G2			
		BJB: 47.319.2170.50			



Tel:+86-769-39023131  
 E-fax:+86-(020)28819702 ext:22122  
 Email:sales@mingfatech.com  
 Http://www.heatsinkled.com  
 Http://www.mingfatech.com



*EtraLED*

*EtraLED-OSR-7050 Osram Modular Passive Star LED Heat Sink Φ70mm*

The thermal data table

	
	<i>EtraLED-7050</i>
<b>Model No.</b>	<b>EtraLED-OSR-7050</b>
<b>Size</b>	<b>Φ70xH50mm</b>
<b>Material</b>	<b>AL6063-T5</b>
<b>Finish</b>	<b>Black Anodized</b>
<b>Weight(gr)</b>	<b>192.0</b>
<b>Thermal Wattage</b>	<b>22.9W</b>
<b>HeatsinkΘs-a<sup>2</sup></b>	<b>79093</b>
<b>Heat Sink T Rise Above Ambient</b>	<b>2.20</b>

Dissipated Power Pd(W)	Pd = Pe x (1-ηL)	Heat sink to ambient thermal resistance Rhs-amb (°C/W)	Heat sink to ambient temperature rise Ths-amb (°C)
		EtraLED-OSR-7050	EtraLED-OSR-7050
5		3.1	16
10		2.7	27
15		2.4	36
20		2.3	46
25		2.2	53

