



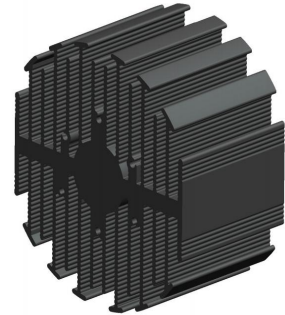
# Mingfa TECH for LED

*eLED*

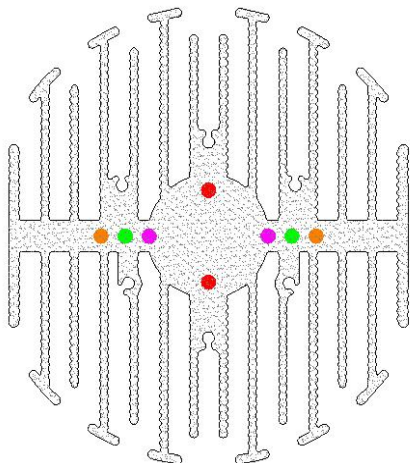
## eLED-CIT-9550 Citizen Modular Passive Star LED Heat Sink $\Phi$ 95mm

### Features VS Benefits

- \* The eLED-CIT-9550 Citizen Modular Passive LED Coolers are specifically designed for luminaires using the Citizen LED engines.
- \* Mechanical compatibility with direct mounting of the LED engines to the LED cooler and thermal performance matching the lumen packages.
- \* For spotlight and downlight designs from 1400 to 4500 lumen.
- \* Thermal resistance range Rth 1.35°C/W.
- \* Modular design with mounting holes foreseen for direct mounting of Citizen CLL030, CLL032, CLU034, CLL040 and CLL042 COB engines.
- \* Diameter 95mm - standard height 50mm Other heights on request.
- \* Extruded from highly conductive aluminum.



- \* Below you find an overview of Citizen LED modular which standard fit on the eLED coolers.
- \* In this way mechanical after work and related costs can be avoided, and lighting designers can standardize their designs on a limited number of LED coolers.



### Citizen LED Modules Mounting indicator marks overview

#### Citizen CLL020 LED Modules:

CLL020-1202A5-50xxxx;	CLL020-1203A5-50xxxx;
CLL020-1202A5-40xxxx;	CLL020-1203A5-40xxxx;
CLL020-1202A5-35xxxx;	CLL020-1203A5-35xxxx;
CLL020-1202A5-30xxxx;	CLL020-1203A5-30xxxx;
CLL020-1202A5-27xxxx;	CLL020-1203A5-27xxxx;

#### Citizen CLL022 LED Modules:

CLL022-1202A5-50xxxx;	CLL022-1203A5-50xxxx;
CLL022-1202A5-40xxxx;	CLL022-1203A5-40xxxx;
CLL022-1202A5-35xxxx;	CLL022-1203A5-35xxxx;
CLL022-1202A5-30xxxx;	CLL022-1203A5-30xxxx;
CLL022-1202A5-27xxxx;	CLL022-1203A5-27xxxx;

#### Citizen CLU024 LED Modules:

CLU024-1201B8-50xxxx;	CLU024-1203B8-50xxxx;
CLU024-1201B8-40xxxx;	CLU024-1203B8-40xxxx;
CLU024-1201B8-35xxxx;	CLU024-1203B8-35xxxx;
CLU024-1201B8-30xxxx;	CLU024-1203B8-30xxxx;
CLU024-1201B8-27xxxx;	CLU024-1203B8-27xxxx;
CLU024-1202B8-50xxxx;	CLU024-1204B8-50xxxx;
CLU024-1202B8-40xxxx;	CLU024-1204B8-40xxxx;
CLU024-1202B8-35xxxx;	CLU024-1204B8-35xxxx;
CLU024-1202B8-30xxxx;	CLU024-1204B8-30xxxx;
CLU024-1202B8-27xxxx;	CLU024-1204B8-27xxxx;

- Zhaga Book 11 LED holder;
- BJB Spotlight connector 47.319.6060.50;
- TE Connectivity 1pc LED holder 6-2154874-1;
- TE Connectivity Scalable 2pc LED holder 2-2154857-1;
- Mounting with 2 screws M3 x 8mm;
- Pink indicator marks.
- Direct mounting with machine screws M3x6mm;
- Red indicator marks.

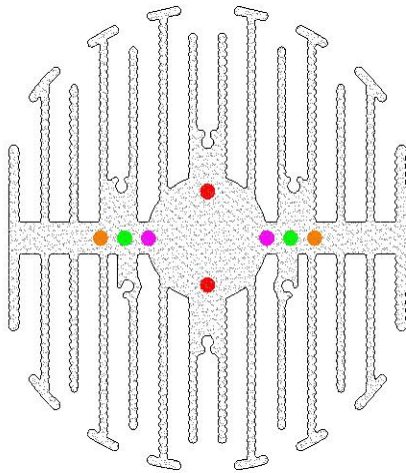
Tel: +86-769-39023131  
 E-fax: +86-(020)28819702 ext:22122  
 Email:sales@mingfatech.com  
 Http://www.heatsinkled.com  
 Http://www.mingfatech.com



eLED

eLED-CIT-9550 Citizen Modular Passive Star LED Heat Sink  $\Phi$ 95mm

**CITIZEN**  
Micro HumanTech



### Citizen LED Modules Mounting indicator marks overview

#### Citizen CLL030 LED Modules:

CLL030-1208A5-50xxxx ;	CLL030-1212A5-50xxxx ;
CLL030-1208A5-40xxxx ;	CLL030-1212A5-40xxxx ;
CLL030-1208A5-35xxxx ;	CLL030-1212A5-35xxxx ;
CLL030-1208A5-30xxxx ;	CLL030-1212A5-30xxxx ;
CLL030-1208A5-27xxxx ;	CLL030-1212A5-27xxxx ;

#### Citizen CLL032 LED Modules:

CLL032-1208A5-50xxxx ;	CLL032-1212A5-50xxxx ;
CLL032-1208A5-40xxxx ;	CLL032-1212A5-40xxxx ;
CLL032-1208A5-35xxxx ;	CLL032-1212A5-35xxxx ;
CLL032-1208A5-30xxxx ;	CLL032-1212A5-30xxxx ;
CLL032-1208A5-27xxxx ;	CLL032-1212A5-27xxxx ;

#### Citizen CLL034 LED Modules:

CLU034-1205B8-50xxxx ;	CLU034-1206B8-30xxxx ;
CLU034-1205B8-40xxxx ;	CLU034-1206B8-27xxxx ;
CLU034-1205B8-35xxxx ;	CLU034-1208B8-50xxxx ;
CLU034-1205B8-30xxxx ;	CLU034-1208B8-40xxxx ;
CLU034-1205B8-27xxxx ;	CLU034-1208B8-35xxxx ;
CLU034-1206B8-50xxxx ;	CLU034-1208B8-30xxxx ;
CLU034-1206B8-40xxxx ;	CLU034-1208B8-27xxxx ;
CLU034-1206B8-35xxxx ;	

With Zhaga Book 3 LED holder;  
BJB Spotlight connector 47.319.2020.50;  
Mounting with 2 screws M3 x 8mm ;  
Green indicator marks.

#### Citizen CLL040-042 LED Modules:

CLL040-1218A5-50xxxx ;	CLL042-1218A5-50xxxx ;
CLL040-1218A5-40xxxx ;	CLL042-1218A5-40xxxx ;
CLL040-1218A5-35xxxx ;	CLL042-1218A5-35xxxx ;
CLL040-1218A5-30xxxx ;	CLL042-1218A5-30xxxx ;
CLL040-1218A5-27xxxx ;	CLL042-1218A5-27xxxx ;

With Zhaga Book 3 LED holder;  
BJB Spotlight connector 47.319.2130.50;  
Mounting with 2 self tapping screws M3 x 8mm;  
Green indicator marks

#### Citizen CLL050-052 LED Modules:

CLL050-1825A1-xxxxxx ;  
CLL052-1825B1-xxxxxx ;



eLED

eLED-CIT-9550 Citizen Modular Passive Star LED Heat Sink  $\Phi 95\text{mm}$

Mounting Options and Drawings & Dimensions

Example:eLED-CIT-9550-B-3

Example:eLED-CIT-9550-1-2-3

1 Height (mm)

2 Anodising Color

B-Black

C-Clear

Z-Custom

3 Mounting options;

On request;

Mounting holes, cable holes;

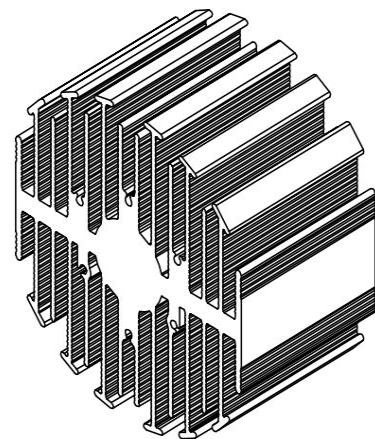
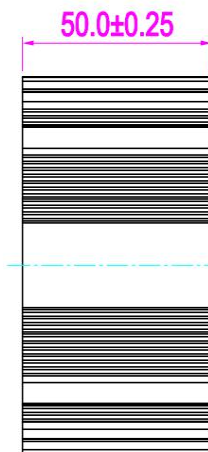
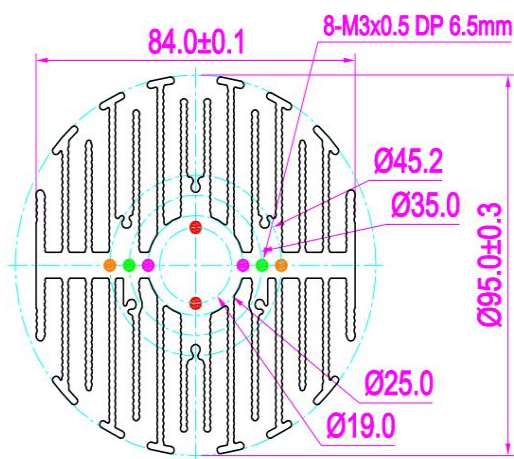
Screw thread, thermal interface pad.

Notes:

- Mentioned models are an extraction of full product range.
- For specific mechanical adaptations please contact MingfaTech.
- MingfaTech reserves the right to change products or specifications without prior notice.



MOUNTING OPTION	Module type	Holder NO.	THREAD	THREAD DEPTH	THREAD HOLE DISTANCE
1	CLL020~022 CLU024	/	M3	6.5mm	19mm/ 2-@180°
2	CLL020~022 CLU024	BJB:47.319.6060.50 Zhaga Book11	M3	6.5mm	25mm/ 2-@180° Zhaga Book11
3	CLL030~032 CLU034	BJB:47.319.2020.50 Zhaga Book3	M3	6.5mm	35mm/ 2-@180° Zhaga Book3
	CLL040~042 CLU044	BJB:47.319.2030.50 Zhaga Book3			
4	CLL050~052 CLU054	/	M3	6.5mm	45.2mm/ 2-@180°



Tel: +86-769-39023131  
 E-fax: +86-(020)28819702 ext:22122  
 Email:sales@mingfatech.com  
 Http://www.heatsinkled.com  
 Http://www.mingfatech.com

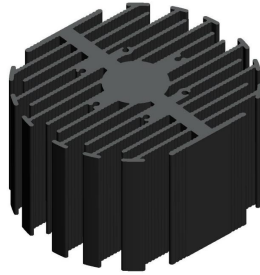




eLED

eLED-CIT-9550 Citizen Modular Passive Star LED Heat Sink  $\Phi$ 95mm

The thermal data table

	 <i>eLED-9550</i>
<b>Model No.</b>	eLED-CIT-9550
<b>Size</b>	$\Phi$ 95xH50mm
<b>Material</b>	AL6063-T5
<b>Finish</b>	Black Anodized
<b>Weight(gr)</b>	353
<b>Thermal Wattage</b>	40.5W
<b>Heatsink<math>\Theta</math>s-a<sup>2</sup></b>	108320
<b>Heat Sink T<sub>Rise Above Ambient</sub></b>	1.25

Dissipated Power Pd(W)	Pd = Pe x (1-ηL)	
	Heat sink to ambient thermal resistance Rhs-amb (°C/W)	Heat sink to ambient temperature rise T <sub>hs-amb</sub> (°C)
	eLED-CIT-9550	
10	1.80	18
20	1.40	28
30	0.97	29
40	1.25	50
50	1.18	59

