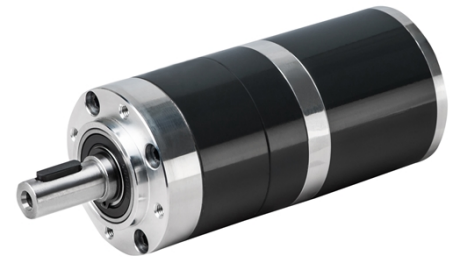
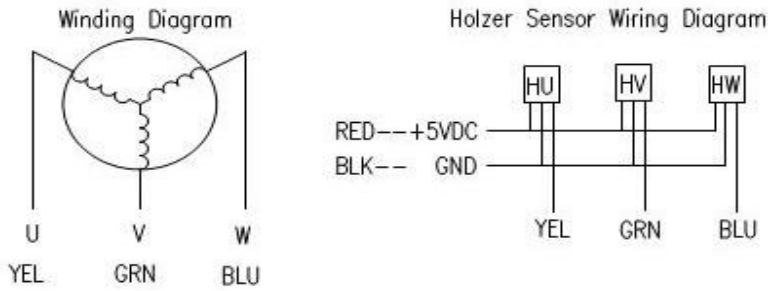
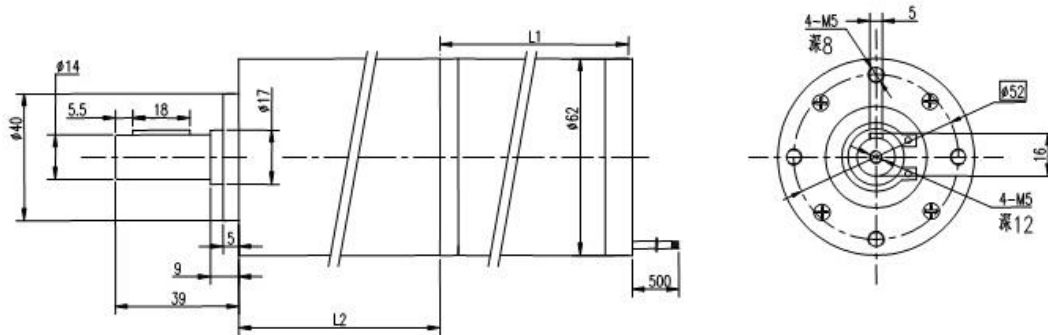


## Wiring Diagram



## Appearance Size &amp; Motor Installation



## Motor Electrical Specification

| Motor Model        | D625-125W | D625-250W |
|--------------------|-----------|-----------|
| Rated Voltage(VDC) | 48        | 48        |
| Rated Speed(Rpm)   | 3000      | 3000      |
| Rated Torque(N.m)  | 0.4       | 0.8       |
| Rated Power(W)     | 125       | 250       |
| L1 Length(mm)      | 71        | 101       |

## Gearbox Electrical Specification

| Reducer Series          | 1     | 2                 |
|-------------------------|-------|-------------------|
| Transmission efficiency | 1     | 2                 |
| Max radial load         | 95%   | 90%               |
| Max axial load          | 80N   | 80N               |
| Transmission torque     | 30N   | 30N               |
| Reduction Ratio         | 40N.m | 60N.m             |
| L2 Length(mm)           | 5,10  | 15,20,25,30,40,50 |

- \* Note: We can manufacture products according to customer's requirements. Optional accessory is the encoder and brake to match this product.
- \* Contact [sales@ichmo.com](mailto:sales@ichmo.com).