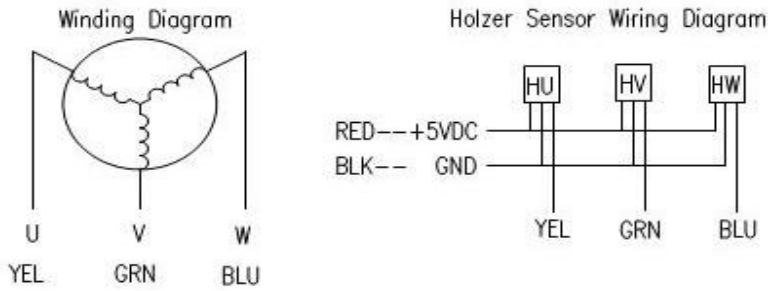
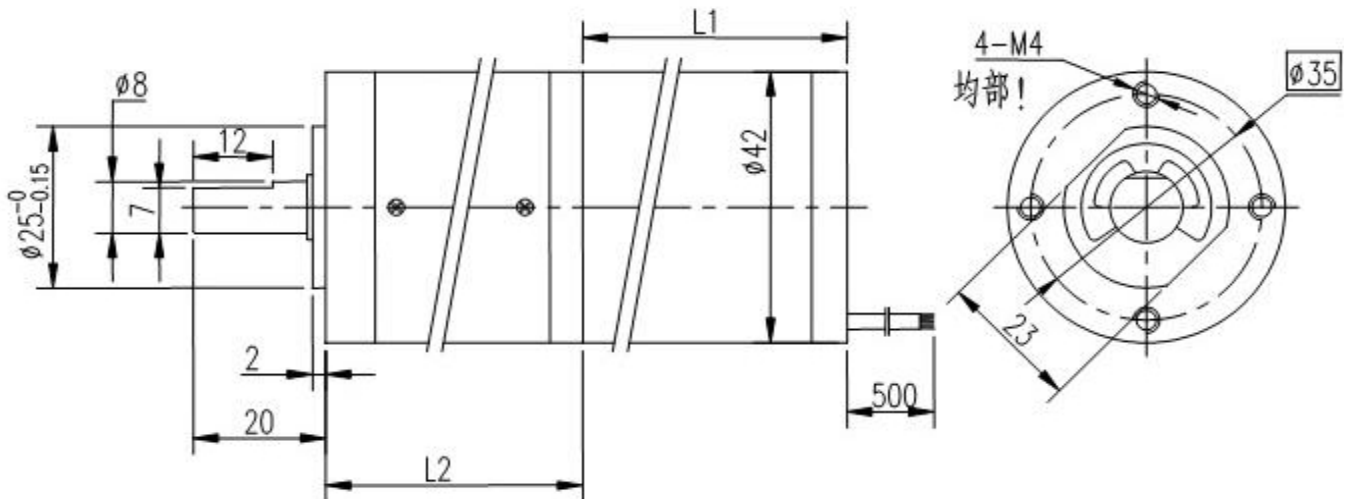


Wiring Diagram



Appearance Size & Motor Installation



Motor Electrical Specification

| Motor Model | D425-28W | D425-56W | D425-84W |
|--------------------|----------|----------|----------|
| Rated Voltage(VDC) | 24 | 24 | 24 |
| Rated Speed(Rpm) | 3000 | 3000 | 3000 |
| Rated Torque(N.m) | 0.09 | 0.18 | 0.27 |
| Rated Power(W) | 28 | 56 | 84 |
| L1 Length(mm) | 58 | 78 | 98 |

Gearbox Electrical Specification

| Reducer Series | 1 | 2 |
|-------------------------|-------|-----------------|
| Transmission efficiency | 95% | 90% |
| Max radial load | 80N | 80N |
| Max axial load | 30N | 30N |
| Transmission torque | 12N.m | 20N.m |
| Reduction Ratio | 5,10 | 20,25,40,50,100 |
| L2 Length(mm) | 28.5 | 38 |

* Note: We can manufacture products according to customer's requirements.
Optional accessory is the encoder and brake to match this product.

* Contact sales@ichmo.com.